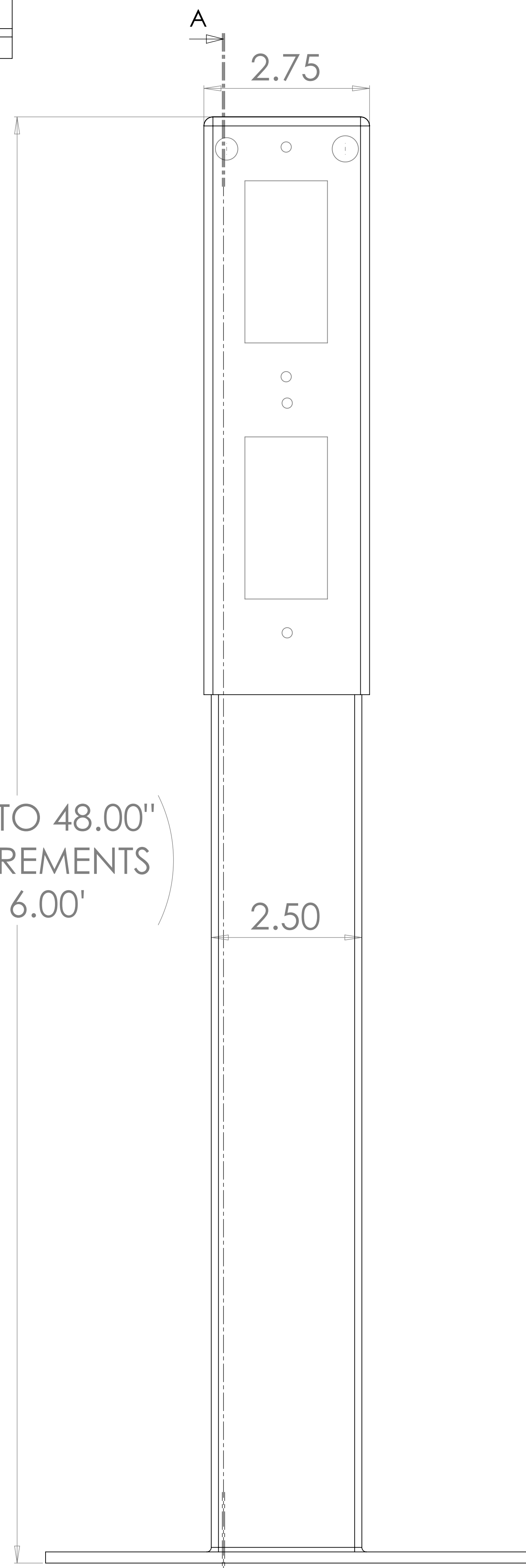
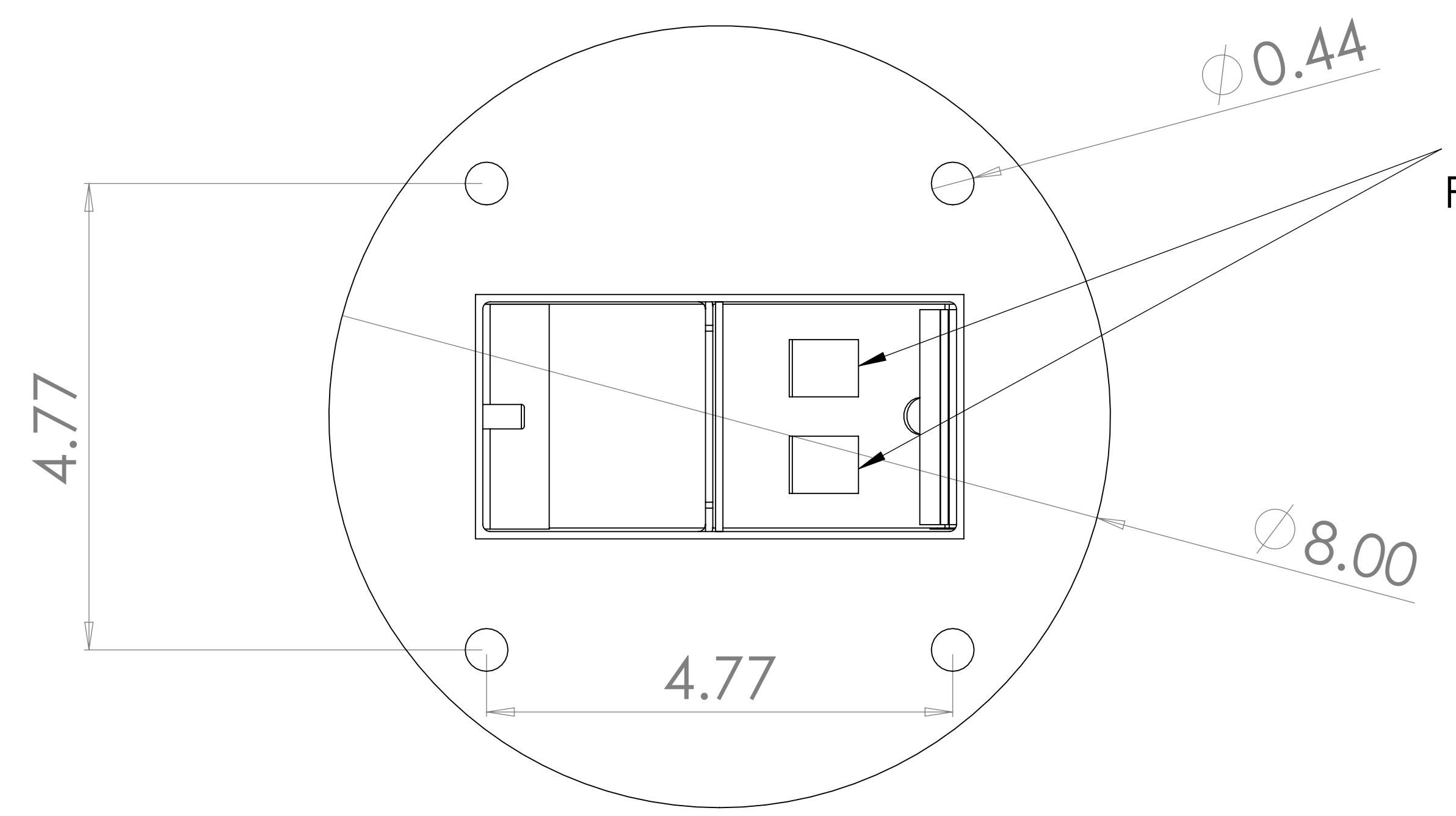


SECTION A-A
SCALE 1 : 1.2

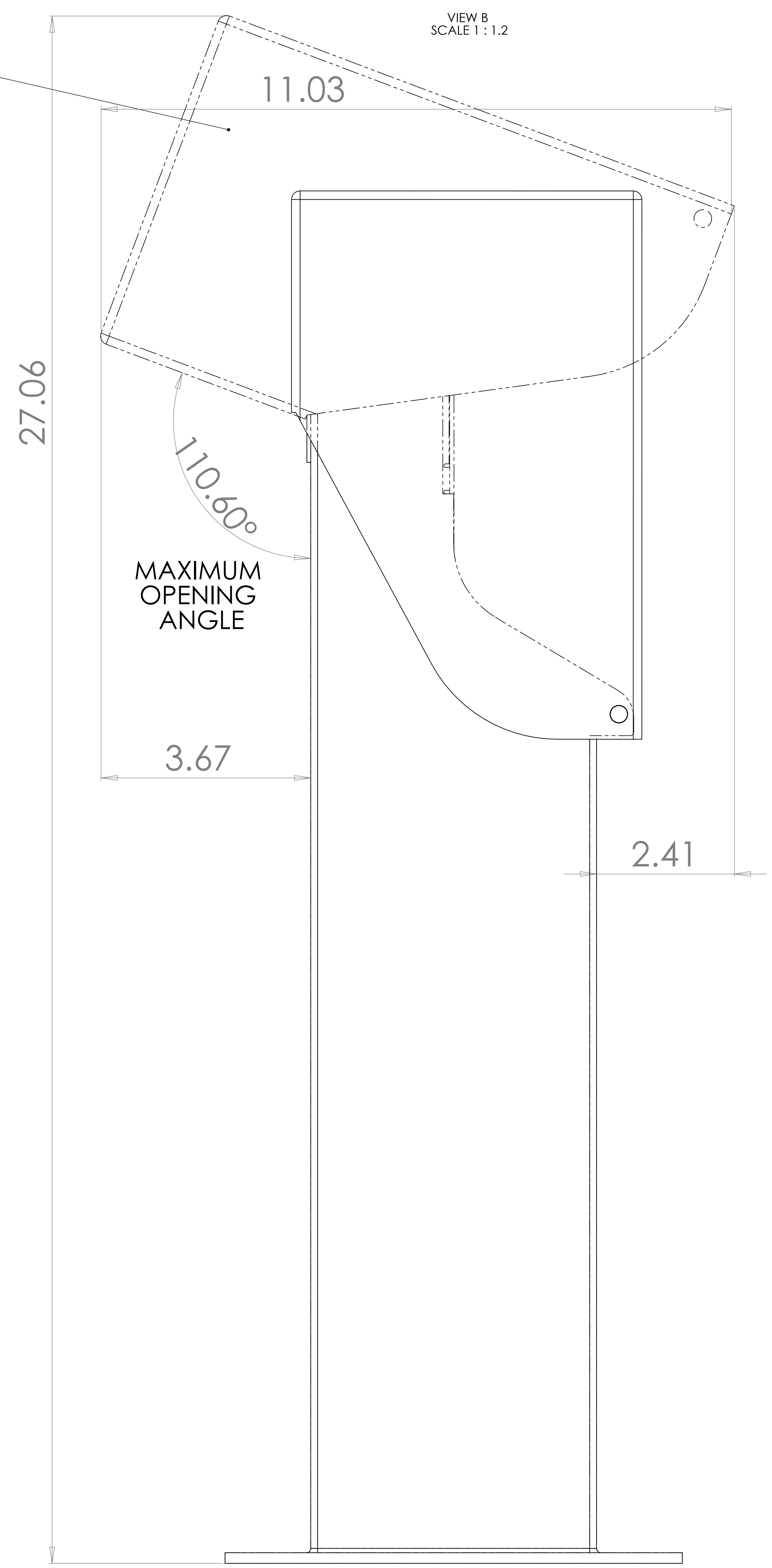


A

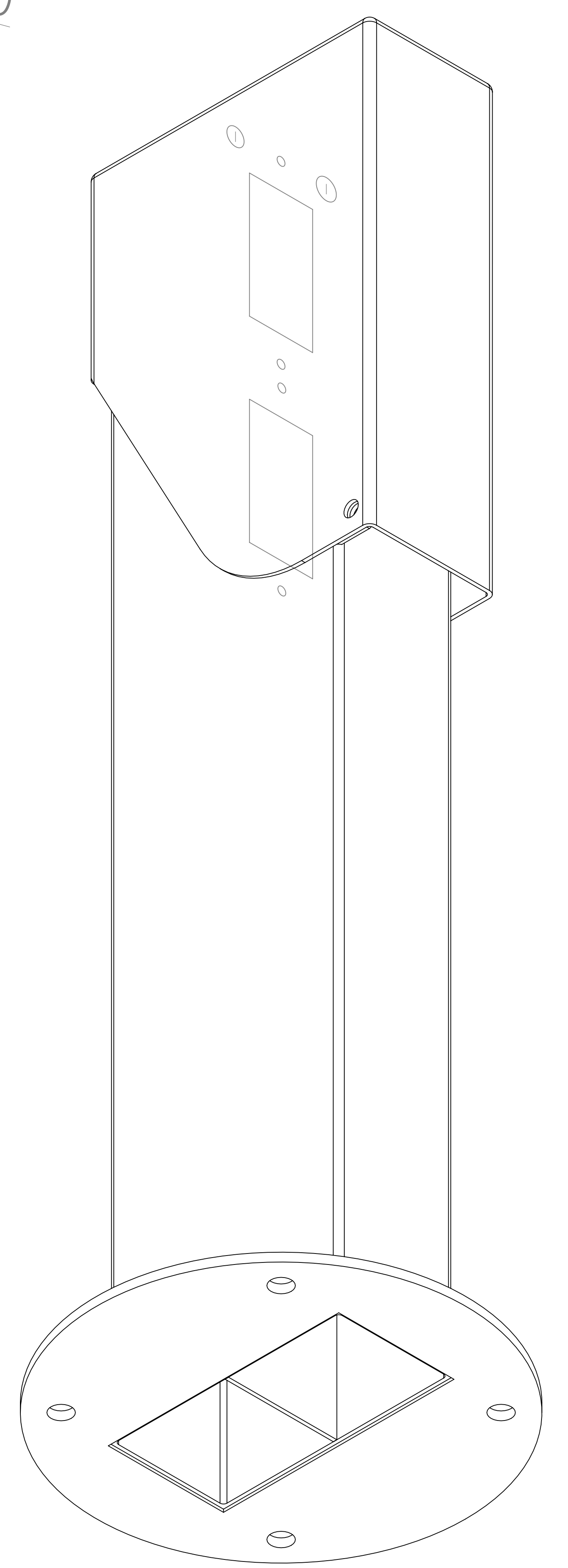


VIEW B
SCALE 1 : 1.2

COVER DESIGNED TO SELF CLOSE



B



PEDOC POWER SOLUTIONS
2 GANG HINGE TOP
W/ INTEGRAL BASE/DIVIDED