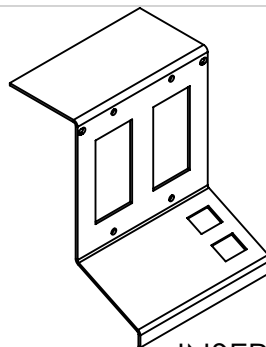
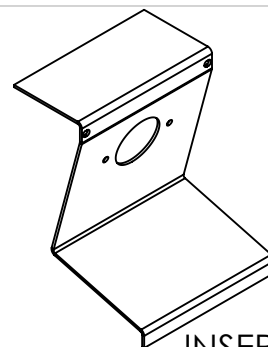


INSERT #1
2 GANG OPENING



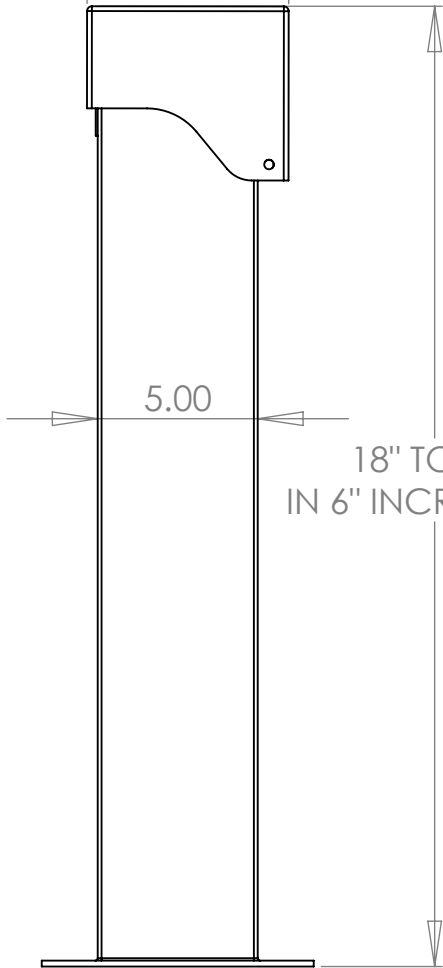
INSERT #2
2 GANG OPENING
WITH DATA HOLES



INSERT #3
30 AMP
OPENING

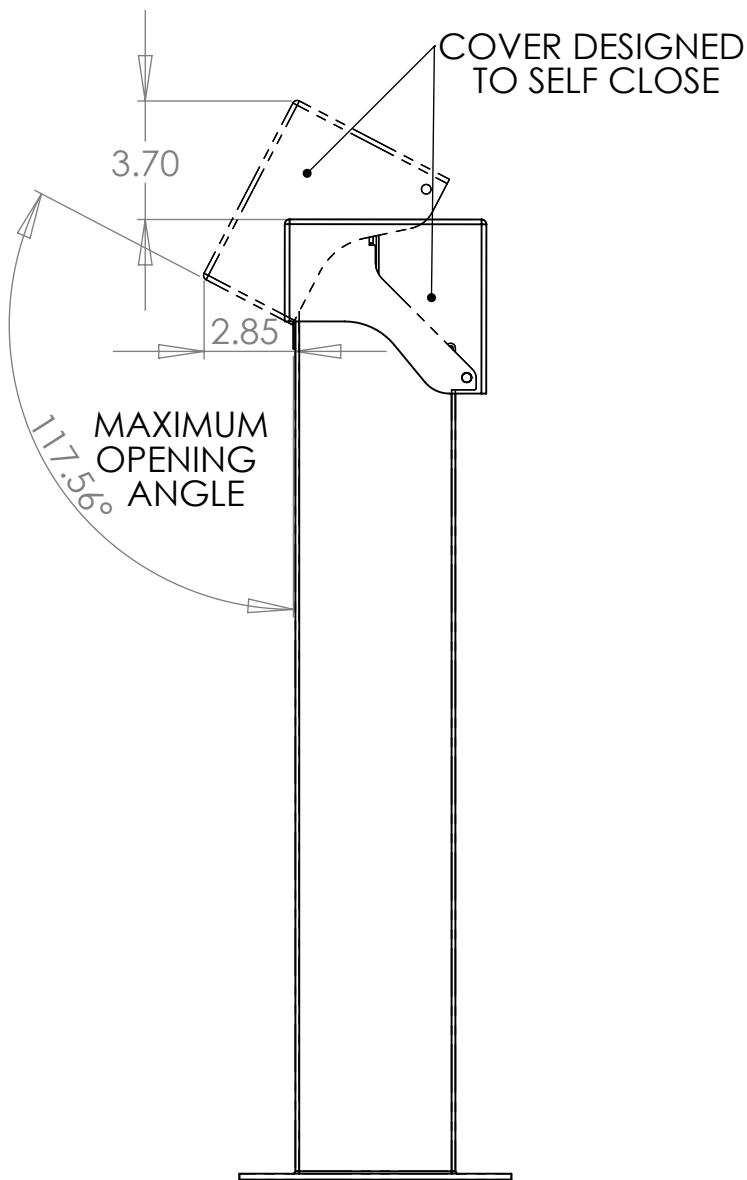
6.30

5.27



5.00

18" TO 48"
IN 6" INCREMENTS

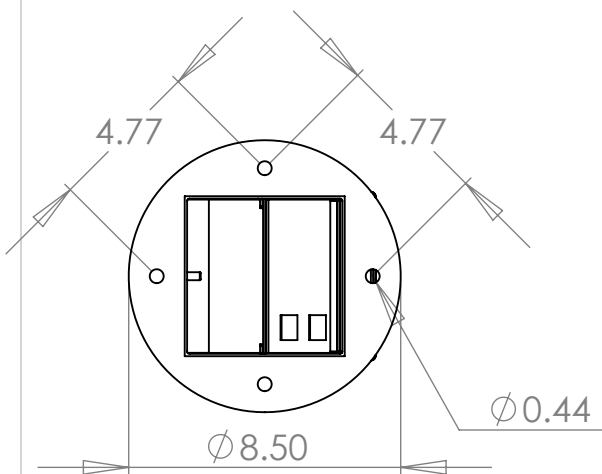


COVER DESIGNED
TO SELF CLOSE

3.70

2.85

117.5°
MAXIMUM
OPENING
ANGLE



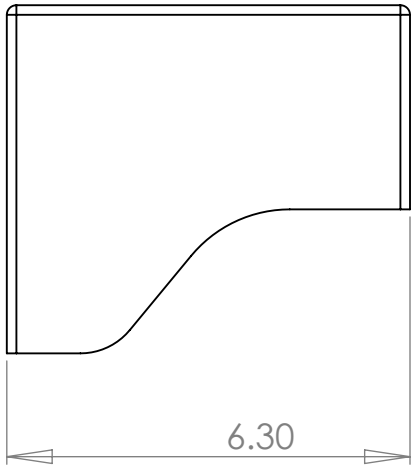
4.77

4.77

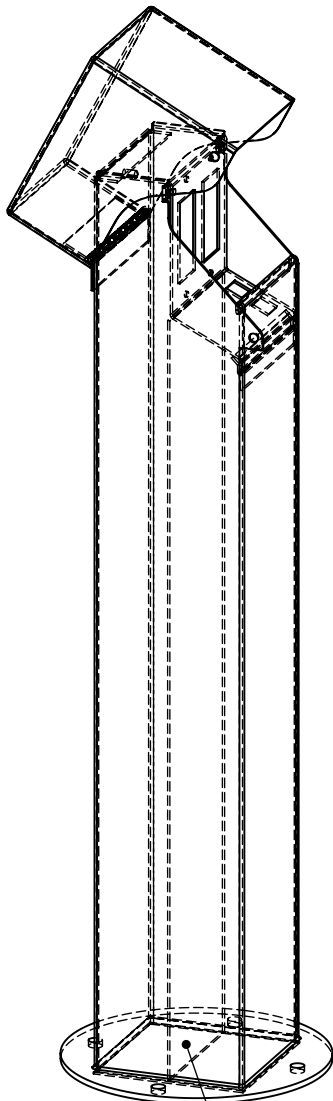
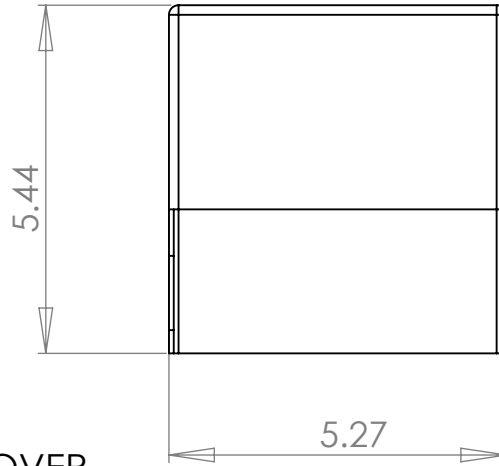
Ø0.44

Ø8.50

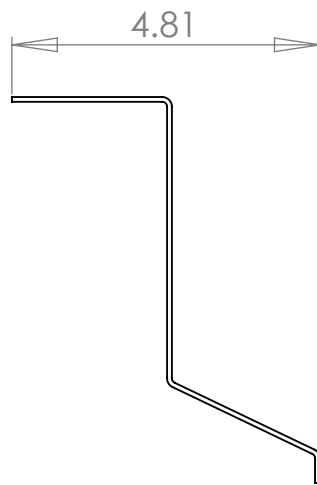
PEDOC POWER SOLUTIONS
5 X 5 HINGE TOP PEDOC
WITH INTEGRAL BASE



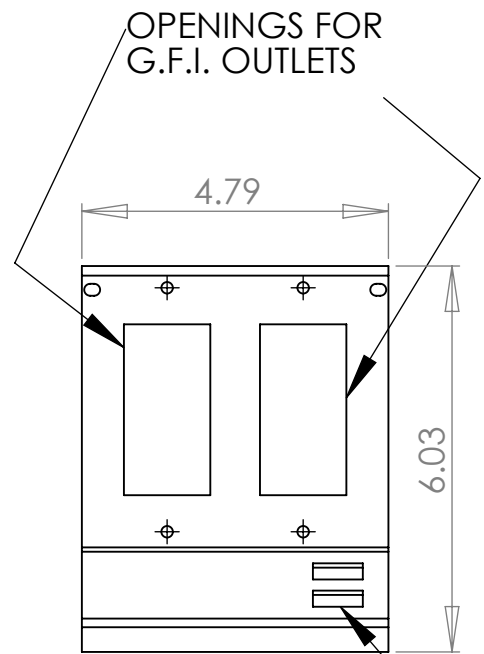
COVER



OPTIONAL DIVIDER TO SEPARATE HIGH VOLTAGE FROM LOW VOLTAGE



ACCESSORY MOUNTING PLATE



OPENINGS FOR G.F.I. OUTLETS

OPENINGS FOR LOW VOLTAGE DATA / VOICE ,PROVIDED ON DIVIDED MODELS ONLY

PEDOC POWER SOLUTIONS
5 X 5 HINGE TOP PEDOC
WITH INTEGRAL BASE