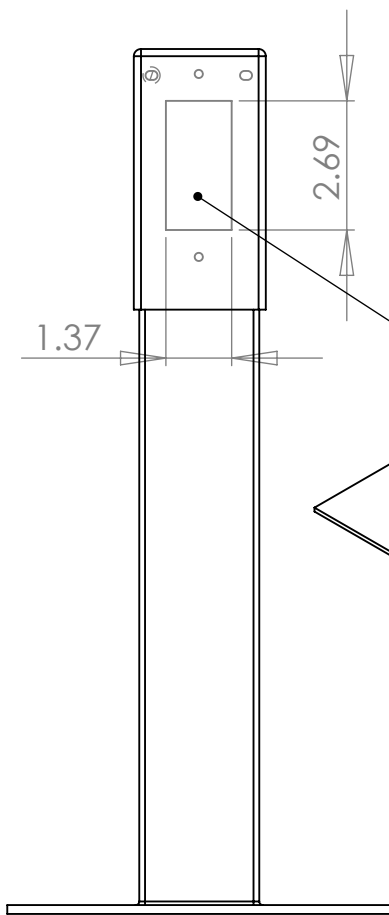
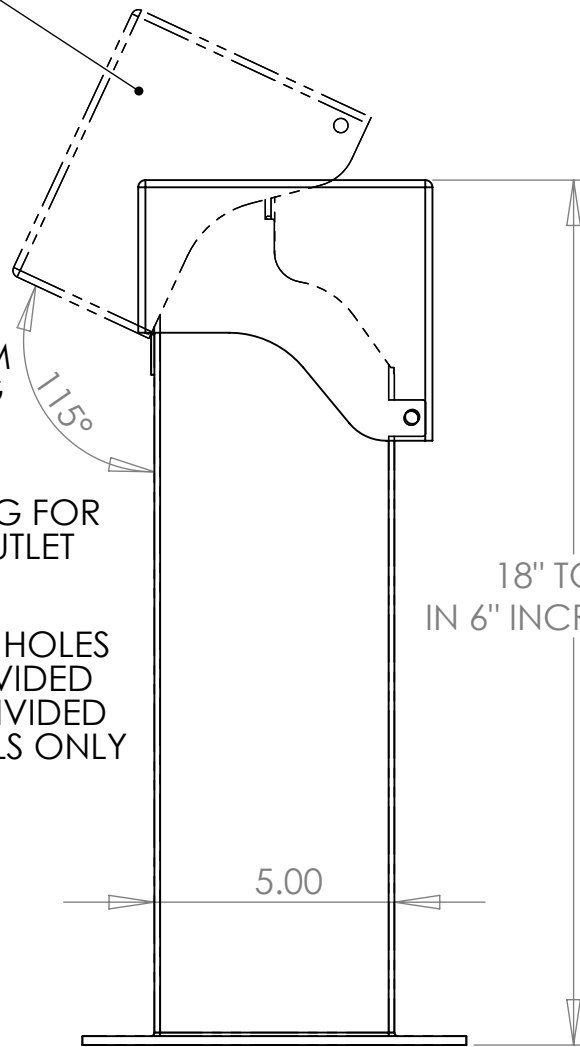


COVER DESIGNED TO SELF-CLOSE

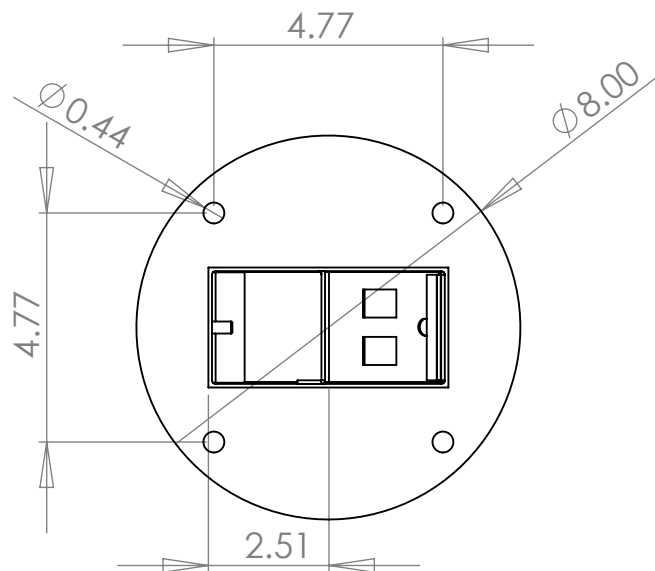
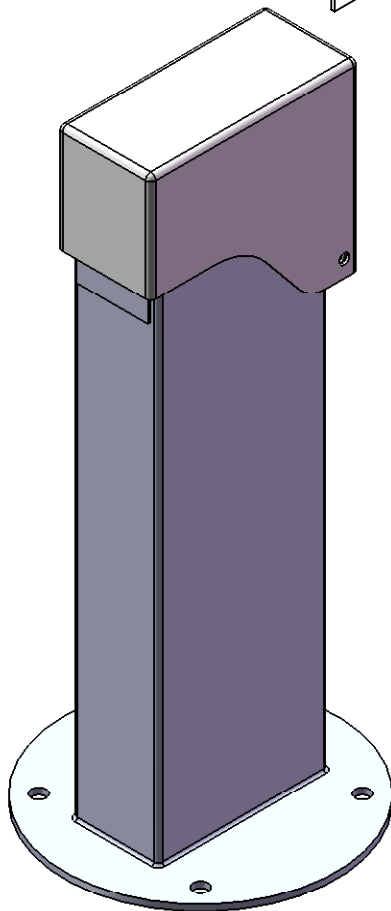
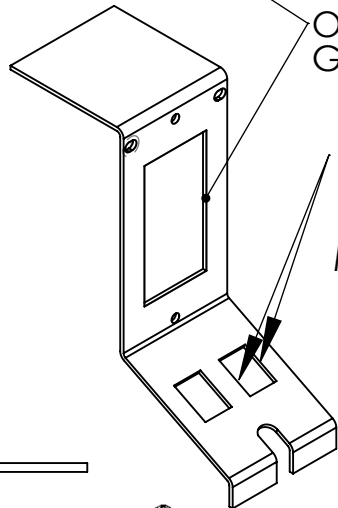


MAXIMUM OPENING ANGLE

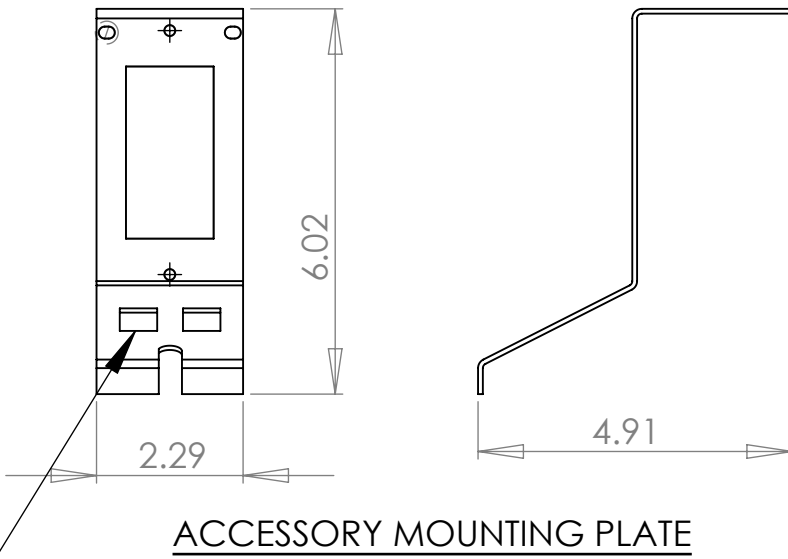
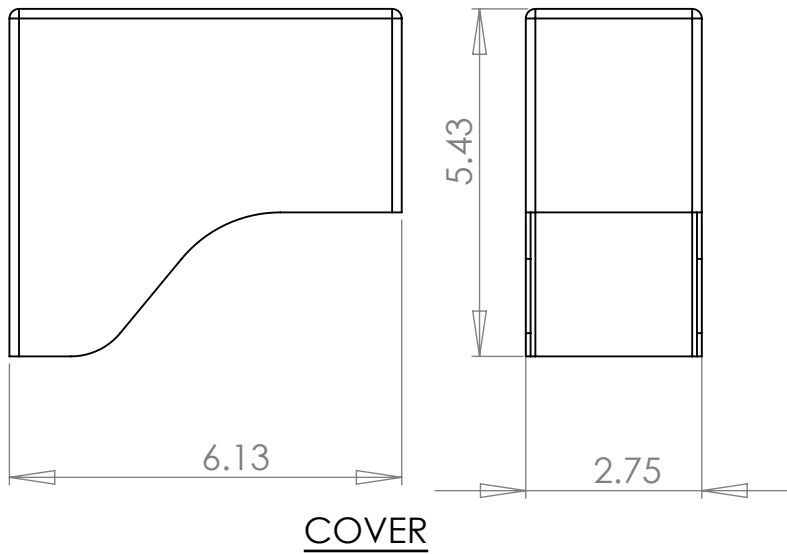


OPENING FOR G.F.I. OUTLET

THESE HOLES PROVIDED ON DIVIDED MODELS ONLY

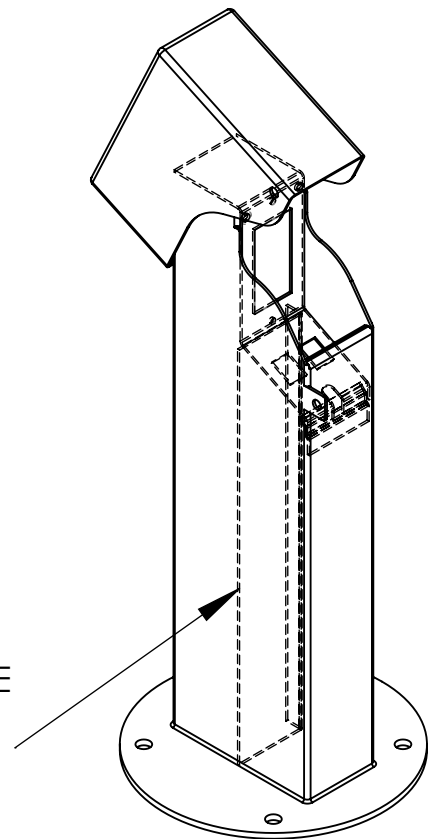


PEDOC POWER SOLUTIONS
ONE GANG HINGE TOP PEDOC
WITH INTEGRAL BASE



OPENINGS PROVIDED ON
DIVIDED MODELS ONLY,
FOR LOW VOLTAGE
DATA / VOICE

OPTIONAL DIVIDER TO SEPARATE
HIGH VOLTAGE FROM LOW
VOLTAGE.



PEDOC POWER SOLUTIONS
ONE GANG HINGE TOP PEDOC
WITH INTEGRAL BASE