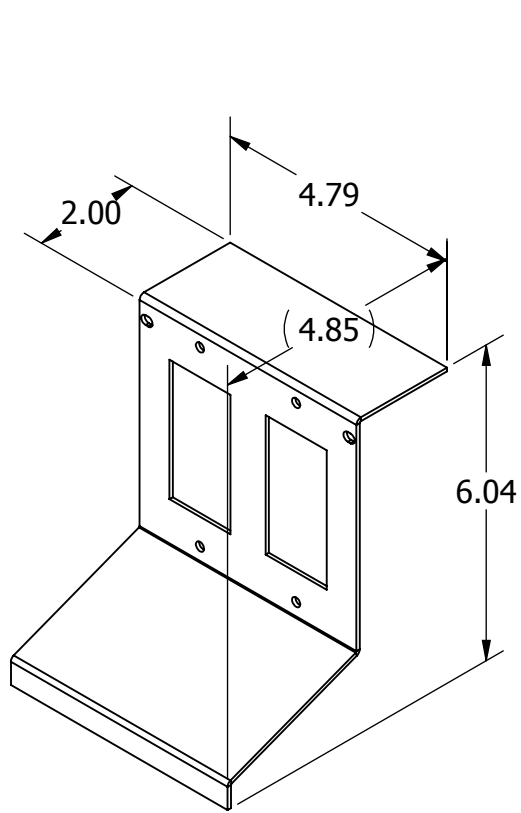
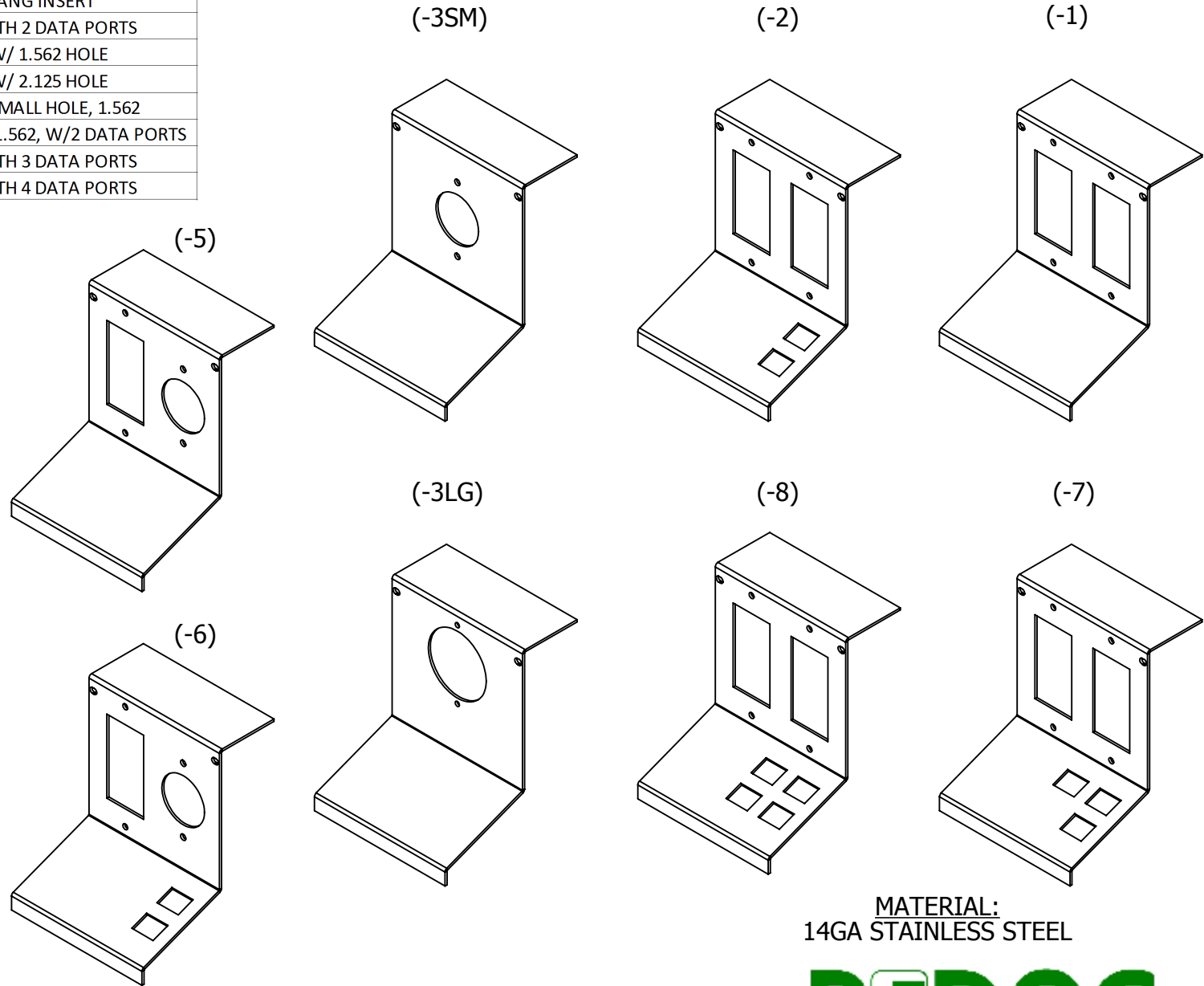


Mounting Plate Insert	Description
(-1)	STANDARD 2GANG INSERT
(-2)	2GANG DIVIDED WITH 2 DATA PORTS
(-3SM)	30 AMP SMALL W/ 1.562 HOLE
(-3LG)	30 AMP LARGE W/ 2.125 HOLE
(-5)	1GANG W/30 AMP SMALL HOLE, 1.562
(-6)	1GANG W/30 AMP HOLE, 1.562, W/2 DATA PORTS
(-7)	2GANG DIVIDED WITH 3 DATA PORTS
(-8)	2GANG DIVIDED WITH 4 DATA PORTS



DIMENSIONS TYPICAL (-1) SHOWN



MATERIAL:  
14GA STAINLESS STEEL



**PART:** SEE TABLE  
**DESCRIPTION:** PEDOC 5X5 Hinge Top Outlet Box w/Integral Base