

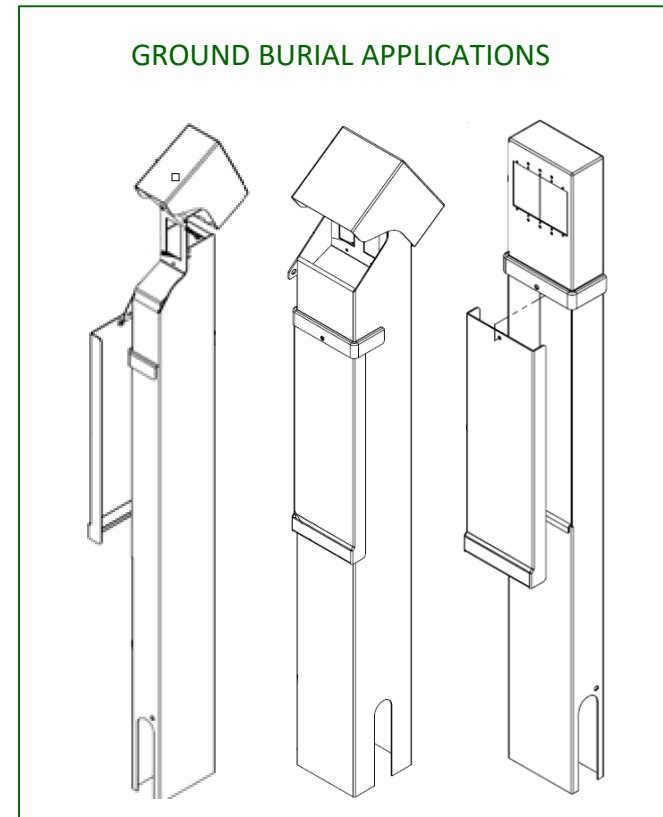
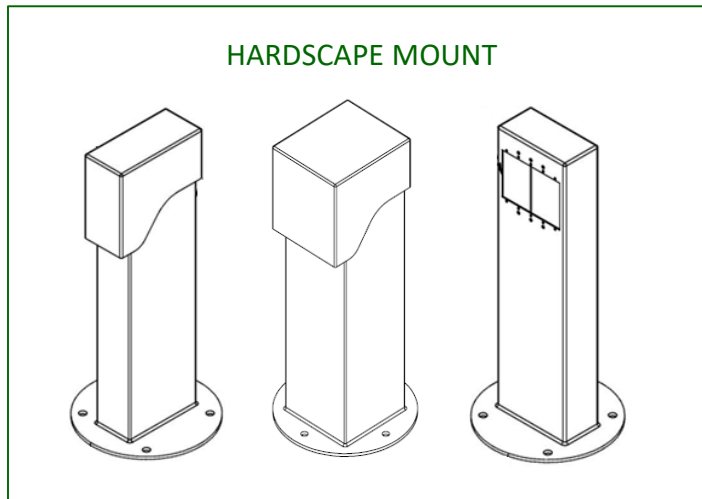


PEDOC

THE OUTDOOR ELECTRIC POWER SOLUTION



Durable, Attractive & Economical Power/Data Solutions



PERFECT SOLUTIONS FOR...

- HIGH-RISE BALCONIES
- RIVERWALKS
- STADIUMS
- CHARGING STATIONS
- FAIRS
- STREETSCAPES
- PARKS
- AMENITIY DECKS
- CAMPGROUNDS
- UNIVERSITY CAMPUSES

MANY MORE!



DURABLE

- PROVIDES LONG LASTING PROTECTION FROM EXPOSURE TO DANGEROUSLY CORRODED AND EXPOSED ELECTRICAL WIRES
- SOLIDLY CONSTRUCTED FROM 14 GAUGE STAINLESS STEEL
- UL LISTED & RATED NEMA 3R
- HINGE TOP MODELS HAVE AN IN-USE SELF-CLOSING COVER WITH LOCKING HOLES ALLOWING FOR SAFE USAGE

ATTRACTIVE

- POWDER COATED IN COLOR OR POLISHED STAINLESS STEEL (REQUIRES TEA STAIN WAIVER)
- MULTIPLE VARIATIONS TO BLEND IN WITH ANY ENVIRONMENT
- SPECIFIED BY MANY ARCHITECTS IN PLANS ACROSS MULTIPLE INDUSTRIES
- SEVERAL SIZES AND CONFIGURATIONS AVAILABLE
- MAY BE COATED IN A CUSTOM COLOR TO YOUR SPECIFICATIONS

STANDARD COLORS *(colors simulated)*

Black
Gray
Green
Brown



ECONOMICAL

- NO COSTLY UPKEEP OF TRADITIONAL OUTDOOR CONDUIT/BOXES WHICH REQUIRE CYCLICAL REPAIR & REPLACEMENT
- BUILT TO WITHSTAND HARSH OUTDOOR CONDITIONS FOR YEARS OF TROUBLE FREE USE
- COST EFFECTIVE PRICING STRUCTURE



THE OUTDOOR ELECTRIC POWER SOLUTION



MODELS WITH MOUNTING BASE

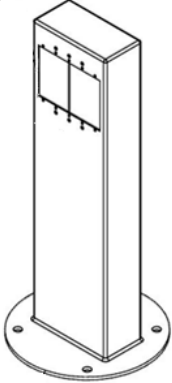
[STANDARD](#)
[PAGE 4](#)

RECEPTACLE OPENING

- TWO GANG (SHOWN)
- ONE GANG HORIZONTAL
- ONE GANG VERTICAL

COVERS NOT SUPPLIED

(60 AMP MAX)



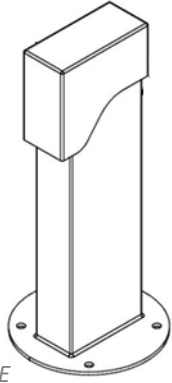
INTEGRAL BASE

[ONE GANG HINGE TOP](#)
[PAGE 5](#)

HINGE TOP COVER

- LOCKABLE WHILE IN-USE (LOCKING HOLE NOT SHOWN)
- IN USE SELF-CLOSING COVER

(20 AMP MAX)



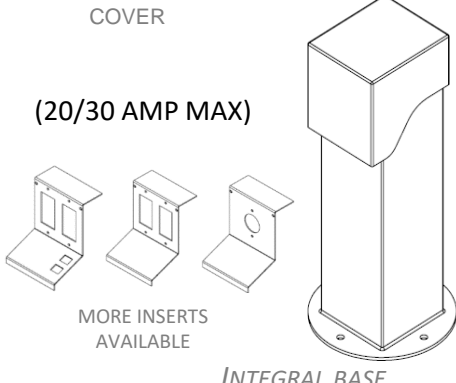
INTEGRAL BASE

[TWO GANG \(5x5\) HINGE TOP](#)
[PAGE 6](#)

HINGE TOP COVER

- LOCKABLE WHILE IN-USE (LOCKING HOLE NOT SHOWN)
- IN USE SELF-CLOSING COVER

(20/30 AMP MAX)



MORE INSERTS AVAILABLE

INTEGRAL BASE

- 14 GAUGE STAINLESS STEEL. 8" DIAMETER 7 GAUGE STAINLESS STEEL BASE. MOUNTING HARDWARE FOR FOUR 7/16" HOLES INCLUDED
- GROUND CONDUCTOR TERMINAL & OPEN BASE TO ACCOMMODATE UP TO TWO 1-1/2" MAX CONDUITS
- RECEPTACLE MOUNTING HOLES PROVIDED (ACCESSORIES NOT SUPPLIED)
- MAY BE ORDERED WITH A DIVIDER FOR POWER AND DATA
- UL LISTED & RATED NEMA 3R (WEATHERPROOF)



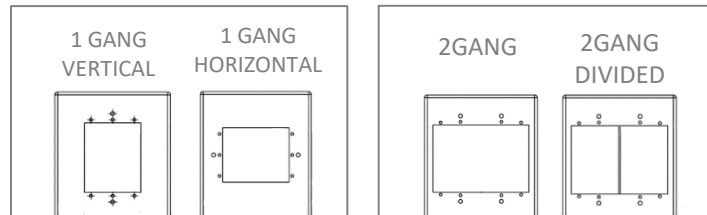
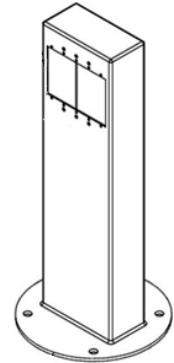
THE OUTDOOR ELECTRIC POWER SOLUTION



STANDARD PEDESTALS WITH MOUNTING BASE

HEIGHT.	TWO GANG		SINGLE GANG				TWO GANG DIVIDED FOR HIGH/LOW VOLTAGE	
	PAINTED STAINLESS STEEL	POLISHED STAINLESS STEEL	HORIZONTAL		VERTICAL		PAINTED STAINLESS STEEL	POLISHED STAINLESS STEEL
			PAINTED STAINLESS STEEL	POLISHED STAINLESS STEEL	PAINTED STAINLESS STEEL	POLISHED STAINLESS STEEL		
6"	2P6-C-*	2P6-SS	1P6-C-HZ-*	1P6-SS-HZ	1P6-C-V-*	1P6-SS-V	2P6-C-D-*	2P6-SS-D
12"	2P12-C-*	2P12-SS	1P12-C-HZ-*	1P12-SS-HZ	1P12-C-V-*	1P12-SS-V	2P12-C-D-*	2P12-SS-D
18"	2P18-C-*	2P18-SS	1P18-C-HZ-*	1P18-SS-HZ	1P18-C-V-*	1P18-SS-V	2P18-C-D-*	2P18-SS-D
24"	2P24-C-*	2P24-SS	1P24-C-HZ-*	1P24-SS-HZ	1P24-C-V-*	1P24-SS-V	2P24-C-D-*	2P24-SS-D
30"	2P30-C-*	2P30-SS	1P30-C-HZ-*	1P30-SS-HZ	1P30-C-V-*	1P30-SS-V	2P30-C-D-*	2P30-SS-D
36"	2P36-C-*	2P36-SS	1P36-C-HZ-*	1P36-SS-HZ	1P36-C-V-*	1P36-SS-V	2P36-C-D-*	2P36-SS-D
42"	2P42-C-*	2P42-SS	1P42-C-HZ-*	1P42-SS-HZ	1P42-C-V-*	1P42-SS-V	2P42-C-D-*	2P42-SS-D
48"	2P48-C-*	2P48-SS	1P48-C-HZ-*	1P48-SS-HZ	1P48-C-V-*	1P48-SS-V	2P48-C-D-*	2P48-SS-D

TWO GANG MODEL



- CONSTRUCTED OF 14 GAUGE STAINLESS STEEL
- 8" DIAMETER 7 GAUGE STAINLESS STEEL BASE
- FOUR 7/16" HOLES DRILLED FOR ANCHORING
- GROUND TERMINAL & OPEN BASE FOR UP TO TWO 1-1/2" MAX CONDUITS
- RECEPTACLE MOUNTING HOLES PROVIDED FOR SWITCHES (ACCESSORIES AND WEATHERPROOF COVERS NOT SUPPLIED)
- MAY BE DIVIDED FOR POWER AND DATA
- 60 AMP MAX RATING
- UL LISTED & RATED NEMA 3R (WEATHERPROOF)
- 5" WIDE X 2.5" DEEP

PART NUMBERING INSTRUCTIONS:

INSERT COLOR CODE IN PLACE OF THE * AT THE END OF THE MODEL NUMBER (SEE PAGE 2 FOR COLOR OPTIONS). IF POLISHED STAINLESS STEEL IS REQUIRED INSERT "SS" INSTEAD OF "C"

EXAMPLE: 1P6-C-HZ-BR FOR A SINGLE GANG 6" PEDESTAL WITH BASE WITH HORIZONTAL RECEPTACLE CUTOUT POWDER COATED IN BROWN FOR A POLISHED STAINLESS STEEL (SS) FINISH THIS [TEA STAIN WAIVER](#) MUST BE SIGNED AND SUBMITTED WITH PURCHASE ORDER



THE OUTDOOR ELECTRIC POWER SOLUTION



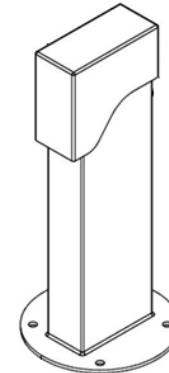
ONE GANG HINGE TOP PEDESTALS WITH BASE

- CONSTRUCTED OF 14 GAUGE STAINLESS STEEL
- 8" DIAMETER 7 GAUGE STAINLESS STEEL BASE.
- FOUR 7/16" HOLES DRILLED FOR ANCHORING.
- GROUND CONDUCTOR TERMINAL & OPEN BASE TO ACCOMMODATE UP TO TWO 1-1/2" MAX CONDUITS
- DEVICE MOUNTING INSERT FOR USE WITH 60 AMP RECEPTACLE OR SWITCH (RECEPTACLES/SWITCHES NOT SUPPLIED)
- MAY BE DIVIDED FOR POWER AND DATA
- UL LISTED & RATED NEMA 3R (WEATHERPROOF)
- 6.13" WIDE X 2.75" DEEP

SINGLE GANG		
HEIGHT	PAINTED STAINLESS STEEL	POLISHED STAINLESS STEEL
18"	1P18-C-HT-*	1P18-SS-HT
24"	1P24-C-HT-*	1P24-SS-HT
30"	1P30-C-HT-*	1P30-SS-HT
36"	1P36-C-HT-*	1P36-SS-HT
42"	1P42-C-HT-*	1P42-SS-HT
48"	1P48-C-HT-*	1P48-SS-HT

SINGLE GANG DIVIDED		
HEIGHT	PAINTED STAINLESS STEEL	POLISHED STAINLESS STEEL
18"	1P18-C-D-HT-*	1P18-SS-D-HT
24"	1P24-C-D-HT-*	1P24-SS-D-HT
30"	1P30-C-D-HT-*	1P30-SS-D-HT
36"	1P36-C-D-HT-*	1P36-SS-D-HT
42"	1P42-C-D-HT-*	1P42-SS-D-HT
48"	1P48-C-D-HT-*	1P48-SS-D-HT

WATERPROOF, WHILE IN-USE, LOCKABLE COVER



PART NUMBERING INSTRUCTIONS:

INSERT COLOR CODE IN PLACE OF THE * AT THE END OF THE MODEL NUMBER (SEE PAGE 2 FOR COLOR OPTIONS). IF POLISHED STAINLESS STEEL IS REQUIRED INSERT "SS" INSTEAD OF "C"

EXAMPLE: 1P18-C-HT-**G** FOR A 18" SINGLE GANG HINGE TOP PEDESTAL WITH BASE POWDER COATED IN **GRAY**
FOR A POLISHED STAINLESS STEEL (SS) FINISH THIS [TEA STAIN WAIVER](#) MUST BE SIGNED AND SUBMITTED WITH PURCHASE ORDER



THE OUTDOOR ELECTRIC POWER SOLUTION

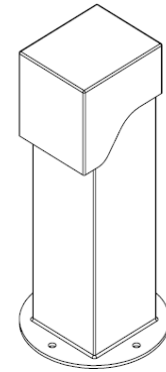


5x5 TWO GANG HINGE TOP PEDESTAL WITH BASE

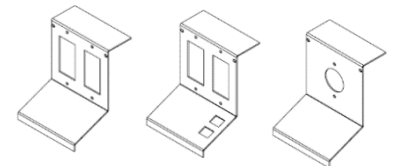
- CONSTRUCTED OF 14 GAUGE STAINLESS STEEL
- 8" DIAMETER 7 GAUGE STAINLESS STEEL BASE
- FOUR 7/16" HOLES DRILLED FOR ANCHORING
- GROUND CONDUCTOR TERMINAL & OPEN BASE TO ACCOMMODATE UP TO TWO 1-1/2" MAX CONDUITS
- DEVICE MOUNTING PLATE FOR 20 OR 30 AMP
- RECEPTACLE OR SWITCH NOT SUPPLIED
- MAY BE DIVIDED FOR POWER AND DATA (SPECIAL INSERT)
- SPECIAL INSERT FOR 30 AMP & OTHER CONFIGURATIONS AVAILABLE
- UL LISTED & RATED NEMA 3R
- 5" WIDE X 5" DEEP

WATERPROOF, WHILE IN-USE, LOCKABLE COVER

HEIGHT	STANDARD TWO GANG		SIDE DIVIDER FOR POWER/DATA		30 AMP	
	PAINTED STAINLESS STEEL	POLISHED STAINLESS STEEL	PAINTED STAINLESS STEEL	POLISHED STAINLESS STEEL	PAINTED STAINLESS STEEL	POLISHED STAINLESS STEEL
18"	5P18-C-HT-1-*	5P18-SS-HT-1	5P18-C-D-HT-2-*	5P18-SS-D-HT-2	5P18-C-HT-3-*	5P18-SS-HT-3
24"	5P24-C-HT-1-*	5P24-SS-HT-1	5P24-C-D-HT-2-*	5P24-SS-D-HT-2	5P24-C-HT-3-*	5P24-SS-HT-3
30"	5P30-C-HT-1-*	5P30-SS-HT-1	5P30-C-D-HT-2-*	5P30-SS-D-HT-2	5P30-C-HT-3-*	5P30-SS-HT-3
36"	5P36-C-HT-1-*	5P36-SS-HT-1	5P36-C-D-HT-2-*	5P36-SS-D-HT-2	5P36-C-HT-3-*	5P36-SS-HT-3
42"	5P42-C-HT-1-*	5P42-SS-HT-1	5P42-C-D-HT-2-*	5P42-SS-D-HT-2	5P42-C-HT-3-*	5P42-SS-HT-3
48"	5P48-C-HT-1-*	5P48-SS-HT-1	5P48-C-D-HT-2-*	5P48-SS-D-HT-2	5P48-C-HT-3-*	5P48-SS-HT-3



20/30 AMP MAX. (EMAIL FOR OTHER CONFIGURATIONS)



PART NUMBERING INSTRUCTIONS:

INSERT COLOR CODE IN PLACE OF THE * AT THE END OF THE MODEL NUMBER (SEE PAGE 3 FOR COLOR OPTIONS). IF POLISHED STAINLESS STEEL IS REQUIRED INSERT "SS" INSTEAD OF "C"

EXAMPLE: [5P36-C-HT-BR](#) FOR A 36" TWO GANG HINGE TOP PEDESTAL WITH BASE POWDER COATED IN BROWN

FOR A POLISHED STAINLESS STEEL (SS) FINISH THIS [TEA STAIN WAIVER](#) MUST BE SIGNED AND SUBMITTED WITH PURCHASE ORDER



THE OUTDOOR ELECTRIC POWER SOLUTION



MODELS WITHOUT MOUNTING BASE

STANDARD

PAGE 8

RECEPTACLE OPENING

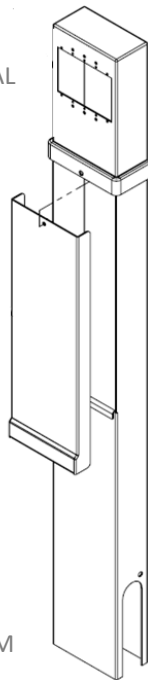
- TWO GANG (SHOWN)
 - ONE GANG HORIZONTAL
 - ONE GANG VERTICAL
- COVERS NOT SUPPLIED

(60 AMP MAX)

REMOVABLE ACCESS COVER

MUST BE BURIED
24" BELOW GRADE

OPEN BOTTOM



1 GANG HINGE TOP

PAGE 9

HINGE TOP COVER

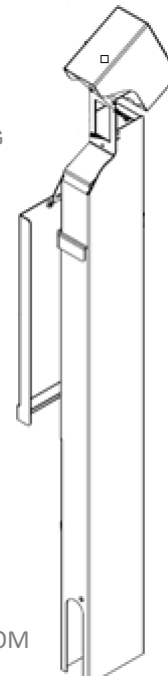
- LOCKABLE WHILE IN-USE (LOCKING HOLE NOT SHOWN)
- IN USE SELF-CLOSING COVER

(20 AMP MAX)

REMOVABLE ACCESS COVER

MUST BE BURIED
24" BELOW GRADE

OPEN BOTTOM



2 GANG (5X5) HINGE TOP

PAGE 10

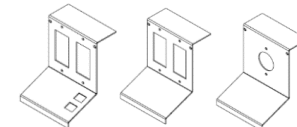
HINGE TOP COVER

- LOCKABLE (LOCKING HOLE NOT SHOWN)
- IN USE SELF-CLOSING COVER

(20/30 AMP MAX)

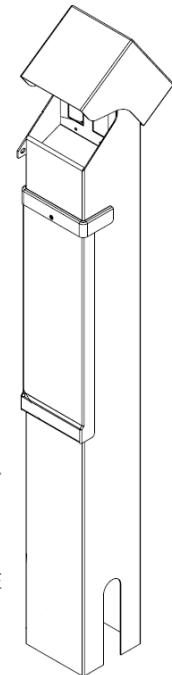
REMOVABLE ACCESS COVER

MUST BE BURIED
24" BELOW GRADE



MORE INSERTS AVAILABLE

OPEN BOTTOM



- 14 GAUGE STAINLESS STEEL
- OPEN BOTTOM AND REMOVABLE FRONT ACCESS COVER FOR EASY INSTALLATION

- RECEPTACLE MOUNTING HOLES PROVIDED (ACCESSORIES NOT SUPPLIED)
- MAY BE ORDERED WITH A DIVIDER FOR POWER AND DATA
- UL LISTED & RATED NEMA 3R (WEATHERPROOF)



THE OUTDOOR ELECTRIC POWER SOLUTION



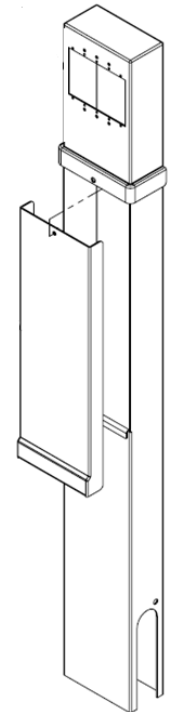
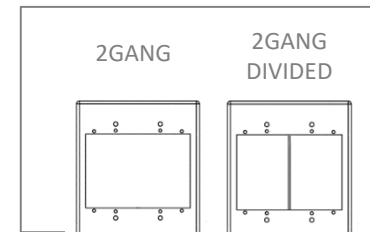
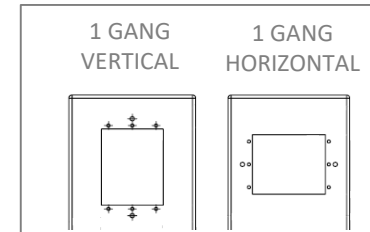
STANDARD PEDESTALS WITHOUT BASE

- CONSTRUCTED OF 14 GAUGE STAINLESS STEEL
- FOR USE WITH 60 AMP MAX RECEPTACLES/SWITCHES (ACCESSORIES NOT SUPPLIED)
- OPEN BOTTOM AND REMOVABLE FRONT ACCESS COVER FOR EASY INSTALLATION
- TWO GANG MAY BE DIVIDED FOR POWER AND DATA
- MUST BE BURIED A MINIMUM 24" DEEP
- UL LISTED & RATED NEMA 3R (WEATHERPROOF)
- 5" WIDE X 2.5" DEEP

SINGLE GANG				
HEIGHT	HORIZONTAL		VERTICAL	
	PAINTED	POLISHED	PAINTED	POLISHED
	STAINLESS STEEL	STAINLESS STEEL	STAINLESS STEEL	STAINLESS STEEL
42"	142-C-HZ-*	142-SS-HZ	142-C-V-*	142-SS-V
48"	148-C-HZ-*	148-SS-HZ	148-C-V-*	148-SS-V
54"	154-C-HZ-*	154-SS-HZ	154-C-V-*	154-SS-V

TWO GANG		
HEIGHT	PAINTED	POLISHED
	STAINLESS STEEL	STAINLESS STEEL
42"	242-C-*	242-SS
48"	248-C-*	248-SS
54"	254-C-*	254-SS

TWO GANG DIVIDED		
HEIGHT	PAINTED	POLISHED
	STAINLESS STEEL	STAINLESS STEEL
42"	242-C-D-*	242-SS-D
48"	248-C-D-*	248-SS-D
54"	254-C-D-*	254-SS-D



PART NUMBERING INSTRUCTIONS:

INSERT COLOR CODE IN PLACE OF THE * AT THE END OF THE MODEL NUMBER (SEE PAGE 3 FOR COLOR OPTIONS). IF POLISHED STAINLESS STEEL IS REQUIRED INSERT "SS" INSTEAD OF "C"

EXAMPLE: **242-C-G** FOR A TWO GANG CUTOUT, 42" LONG, GROUND BURIAL PEDESTAL WITHOUT BASE POWDER COATED IN GRAY

FOR A #4 POLISHED STAINLESS STEEL (SS) FINISH THIS [TEA STAIN WAIVER](#) MUST BE SIGNED AND SUBMITTED WITH PURCHASE ORDER



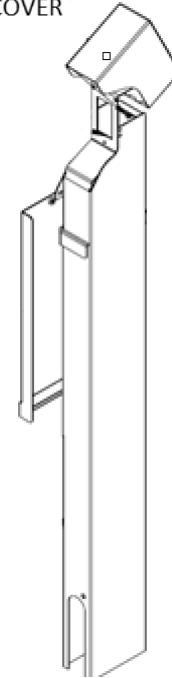
THE OUTDOOR ELECTRIC POWER SOLUTION



ONE GANG HINGE TOP PEDESTALS WITH BASE

- CONSTRUCTED OF 14 GAUGE STAINLESS STEEL
- FOR USE WITH 20 AMP MAX RECEPTACLES/SWITCHES
- OPEN BOTTOM AND REMOVABLE FRONT ACCESS COVER FOR EASY INSTALLATION
- MAY BE DIVIDED FOR HIGH/LOW VOLTAGE APPLICATIONS
- GROUND CONDUCTOR TERMINAL & OPEN BASE TO ACCOMMODATE UP TO TWO 1-1/2" MAX CONDUITS
- DEVICE MOUNTING INSERT FOR USE WITH 20 AMP RECEPTACLE
- RECEPTACLE OR SWITCH (RECEPTACLES/SWITCHES NOT SUPPLIED)
- MUST BE BURIED A MINIMUM 24" DEEP
- UL LISTED & RATED NEMA 3R (WEATHERPROOF)
- (6.13" WIDE X 2.75" DEEP)

WATERPROOF, WHILE IN-USE, LOCKABLE COVER



ONE GANG		
HEIGHT	PAINTED STAINLESS STEEL	POLISHED STAINLESS STEEL
42"	142-C-HT-*	142-SS-HT
48"	148-C-HT-*	148-SS-HT
54"	154-C-HT-*	154-SS-HT

ONE GANG DIVIDED FOR POWER/DATA		
HEIGHT	PAINTED STAINLESS STEEL	POLISHED STAINLESS STEEL
42"	142-C-D-HT-*	142-SS-D-HT
48"	148-C-D-HT-*	148-SS-D-HT
54"	154-C-D-HT-*	154-SS-D-HT

PART NUMBERING INSTRUCTIONS:

INSERT COLOR CODE IN PLACE OF THE * AT THE END OF THE MODEL NUMBER (SEE PAGE 3 FOR COLOR OPTIONS). IF POLISHED STAINLESS STEEL IS REQUIRED INSERT "SS" INSTEAD OF "C"

EXAMPLE: 148-SS-HT FOR A SINGLE GANG, 48" TALL, HINGE TOP WITHOUT BASE FINISHED IN POLISHED STAINLESS STEEL

FOR A #4 POLISHED STAINLESS STEEL (SS) FINISH A [TEA STAIN WAIVER](#) MUST BE SIGNED AND SUBMITTED WITH PURCHASE ORDER



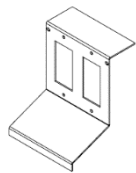
THE OUTDOOR ELECTRIC POWER SOLUTION



5x5 TWO GANG HINGE TOP PEDESTAL WITHOUT BASE

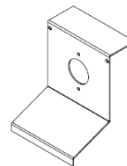
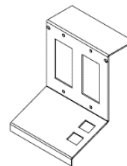
- CONSTRUCTED OF 14 GAUGE STAINLESS STEEL
- EACH UNIT HAS A GROUND CONDUCTOR TERMINAL AND WILL ACCOMMODATE UP TO TWO 1-1/2" MAX CONDUITS
- OPEN BOTTOM AND REMOVABLE FRONT ACCESS COVER ALLOWS FOR EASY INSTALLATION
- DEVICE MOUNTING INSERT FOR USE WITH EITHER 20 OR 30 AMP RECEPTACLE OR SWITCH (RECEPTACLES/SWITCHES NOT SUPPLIED)
- MAY BE DIVIDED FOR POWER AND DATA (SPECIAL INSERT)
- MUST BE BURIED A MINIMUM 24" DEEP
- UL LISTED & RATED NEMA 3R
- 5" WIDE X 2.5" DEEP

WATERPROOF, WHILE IN-USE, LOCKABLE COVER



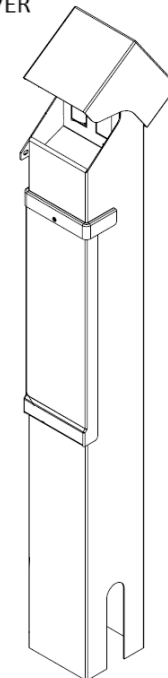
TWO GANG (USE -1)		
HEIGHT	POWDER COAT PAINT	POLISHED FINISH
42"	542-C-HT-1-*	542-SS-HT-1
48"	548-C-HT-1-*	548-SS-HT-1
54"	554-C-HT-1-*	554-SS-HT-1

MORE INSERTS AVAILABLE



TWO GANG DIVIDED (USE -1)		
HEIGHT	POWDER COAT PAINT	POLISHED FINISH
42"	542-C-D-HT-2-*	542-SS-D-HT-2
48"	548-C-D-HT-2-*	548-SS-D-HT-2
54"	554-C-D-HT-2-*	554-SS-D-HT-2

30 AMP (USE -3)		
HEIGHT	POWDER COAT PAINT	POLISHED FINISH
42"	542-C-HT-3-*	542-SS-HT-3
48"	548-C-HT-3-*	548-SS-HT-3
54"	554-C-HT-3-*	554-SS-HT-3



PART NUMBERING INSTRUCTIONS:

INSERT COLOR CODE IN PLACE OF THE * AT THE END OF THE MODEL NUMBER (SEE PAGE 3 FOR COLOR OPTIONS). IF POLISHED STAINLESS STEEL IS REQUIRED INSERT "SS" INSTEAD OF "C"

EXAMPLE: 554-C-HT-1-**GN** FOR A TWO GANG 5 X 5, 52" TALL WITHOUT BASE MODEL POWDER COATED IN **GREEN**

FOR A #4 POLISHED STAINLESS STEEL (SS) FINISH THIS [TEA STAIN WAIVER](#) MUST BE SIGNED AND SUBMITTED WITH PURCHASE ORDER



THE OUTDOOR ELECTRIC POWER SOLUTION

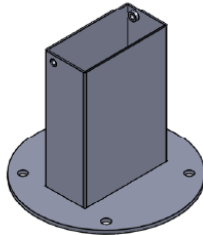


ACCESSORY: PMB – PEDESTAL MOUNTING BRACKETS (under UL review)

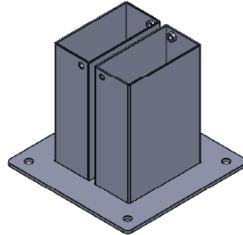
- PMB'S SUPPORT PEDOC'S ON A FLAT SURFACE, AT OR ABOVE GRADE
- MADE FROM 14 GAUGE STAINLESS STEEL
- USED WITH MODELS WITHOUT AN INTEGRAL BASE

AVAILABLE IN 2 CONFIGURATIONS

SINGLE PMB (8"
DIAMETER BASE)
MODEL #
PMB-C-S-*



DOUBLE PMB (8"
SQUARE BASE)
MODEL #
PMB-C-2BB-*



PEDOC UNIT(S) SLIDES DOWN INTO THE HOUSING (SINGLE OR DOUBLE) AND IS SECURED WITH SCREWS ON HOUSING SIDES

BRACKETS PROVIDED TO SUPPORT PEDOC'S ON A FLAT SURFACE AT OR ABOVE GRADE WITHOUT HAVING THE LOWER SECTION BURIED INTO THE GROUND



Wire through bottom opening not shown

PART NUMBERING INSTRUCTIONS:

INSERT COLOR CODE IN PLACE OF THE * AT THE END OF THE MODEL NUMBER (SEE PAGE 3 FOR COLOR OPTIONS). IF POLISHED STAINLESS STEEL IS REQUIRED INSERT "SS" INSTEAD OF "C"

EXAMPLE: PMB-C-S-B FOR A SINGLE GANG PEDESTAL MOUNTING BRACKET POWDER COATED IN **BLACK**

FOR A #4 POLISHED STAINLESS STEEL (SS) FINISH THIS [TEA STAIN WAIVER](#) MUST BE SIGNED AND SUBMITTED WITH PURCHASE ORDER