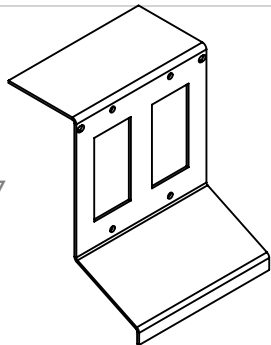
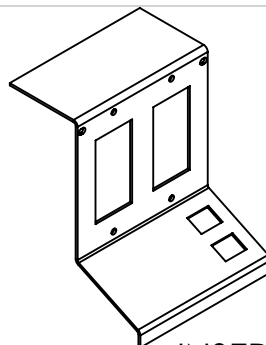


6.30

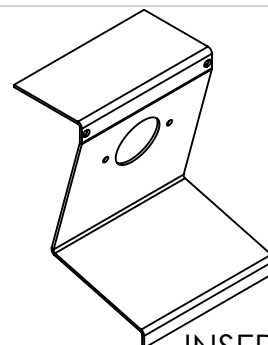
5.27



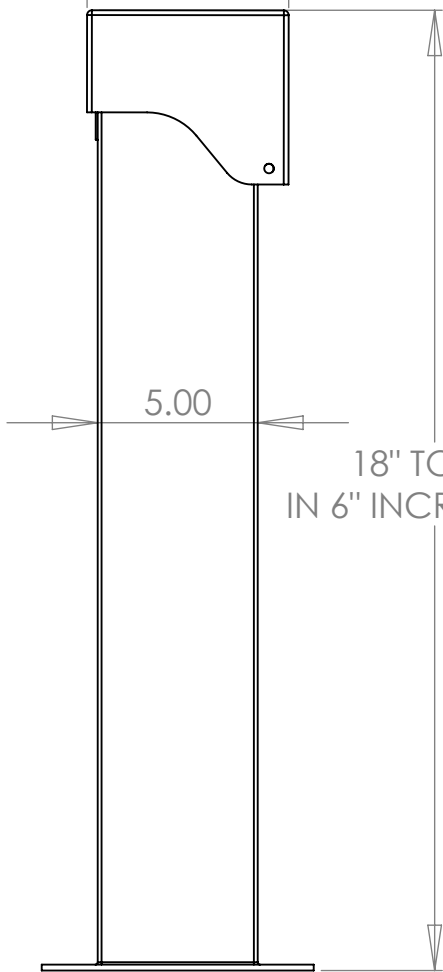
INSERT #1  
2 GANG OPENING



INSERT #2  
2 GANG OPENING  
WITH DATA HOLES

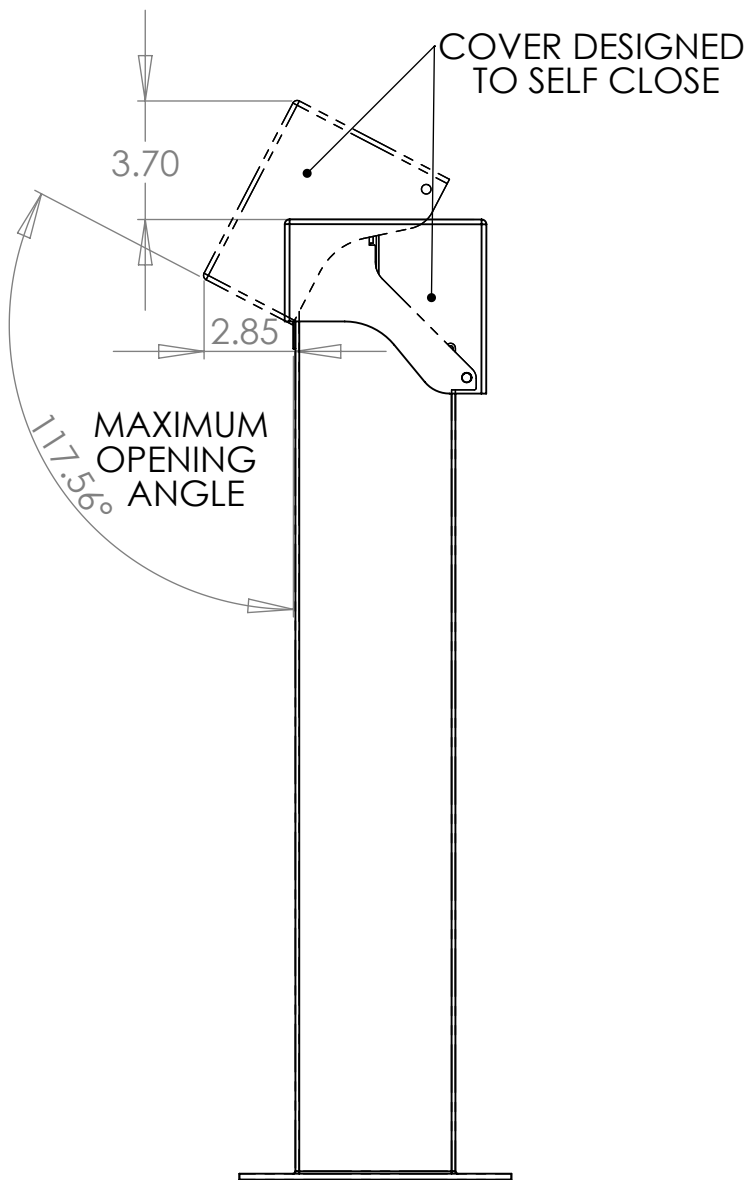


INSERT #3  
30 AMP  
OPENING



5.00

18" TO 48"  
IN 6" INCREMENTS

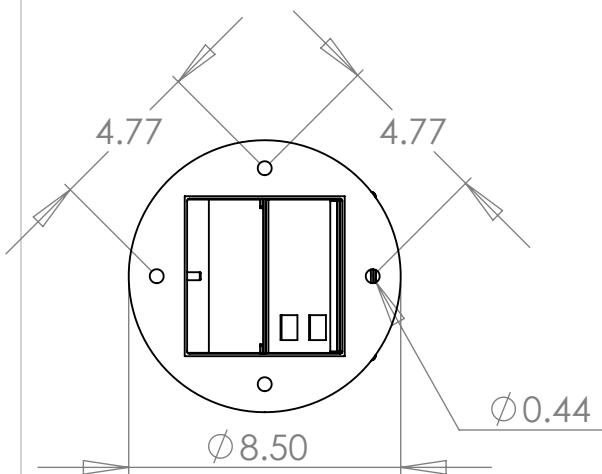


COVER DESIGNED  
TO SELF CLOSE

3.70

2.85

117.5°  
MAXIMUM  
OPENING  
ANGLE



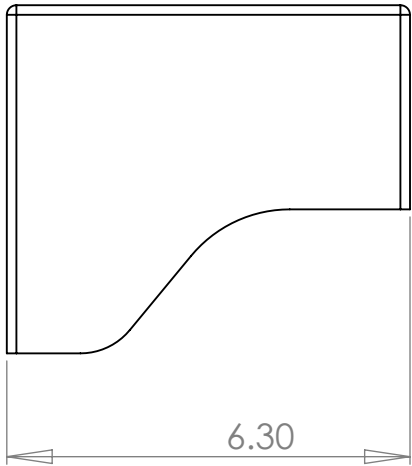
4.77

4.77

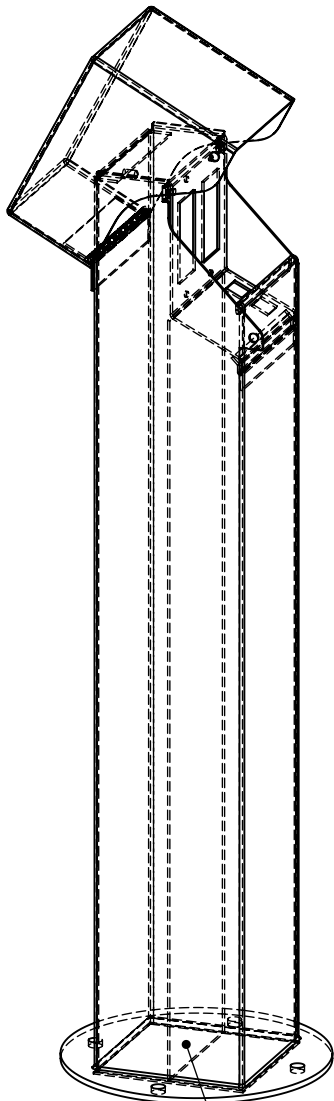
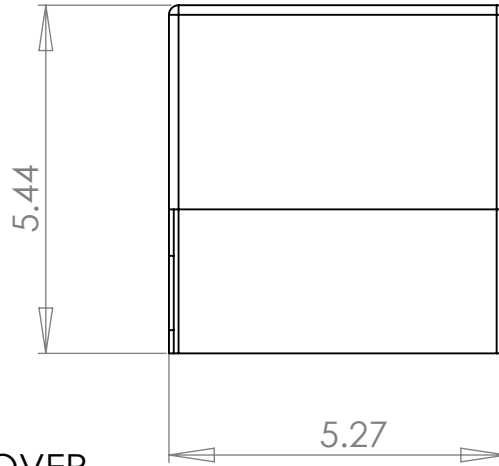
Ø0.44

Ø8.50

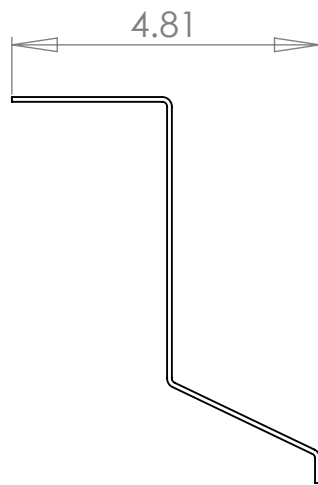
PEDOC POWER SOLUTIONS  
5 X 5 HINGE TOP PEDOC  
WITH INTEGRAL BASE



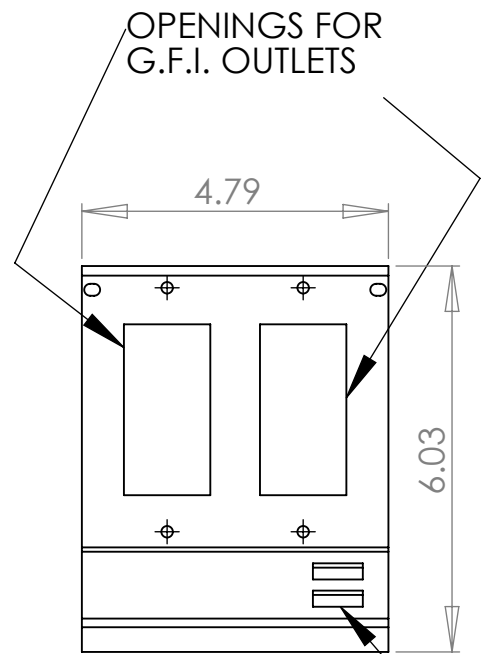
COVER



OPTIONAL DIVIDER TO SEPARATE HIGH VOLTAGE FROM LOW VOLTAGE



ACCESSORY MOUNTING PLATE



OPENINGS FOR G.F.I. OUTLETS

OPENINGS FOR LOW VOLTAGE DATA / VOICE ,PROVIDED ON DIVIDED MODELS ONLY

PEDOC POWER SOLUTIONS  
5 X 5 HINGE TOP PEDOC  
WITH INTEGRAL BASE