

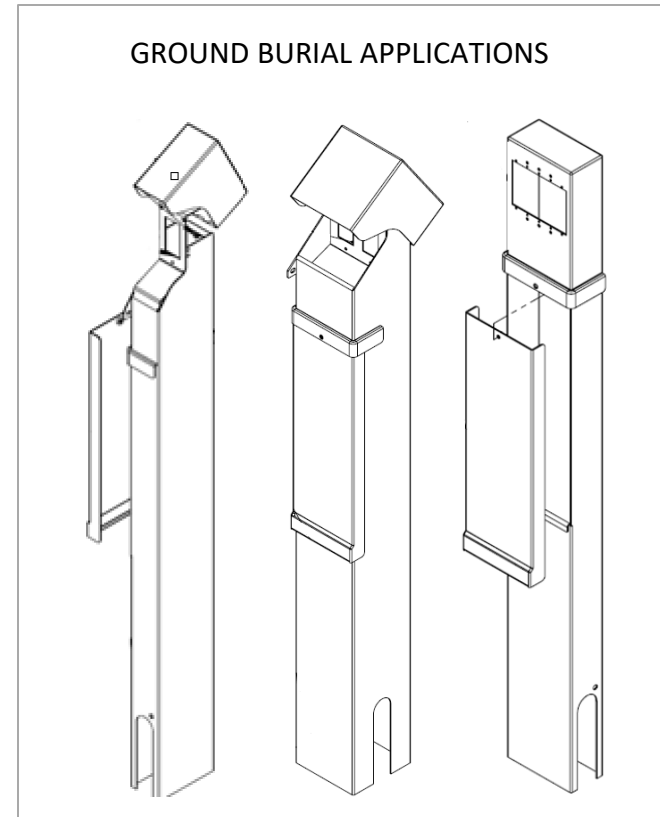
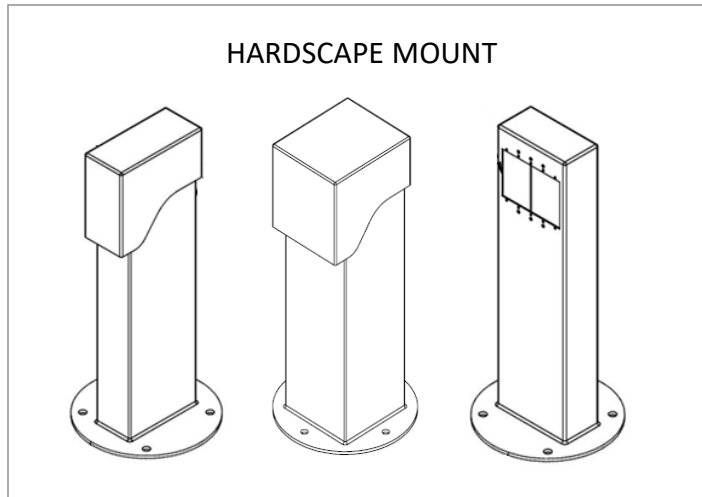


PEDOC

THE OUTDOOR ELECTRIC POWER SOLUTION



Durable, Attractive & Economical Power/Data Solutions



PERFECT SOLUTIONS FOR...

- HIGH-RISE BALCONIES
- RIVERWALKS
- STADIUMS
- CHARGING STATIONS
- FAIRS
- STREETSCAPES
- PARKS
- AMENITIY DECKS
- CAMPGROUNDS
- UNIVERSITY CAMPUSES

MANY MORE!

[CONTACT US TODAY FOR PRICING AND AVAILABILITY](#)

www.pedocpower.com

(888)518-0330

info@pedocpower.com

© PEDOC Power Solutions, LLC 2018



DURABLE

- PROVIDES LONG LASTING PROTECTION FROM EXPOSURE TO DANGEROUSLY CORRODED AND EXPOSED ELECTRICAL WIRES
- SOLIDLY CONSTRUCTED FROM 14 GAUGE STAINLESS STEEL
- UL LISTED & RATED NEMA 3R
- HINGE TOP MODELS HAVE AN IN-USE SELF-CLOSING COVER WITH LOCKING HOLES ALLOWING FOR SAFE USE

ATTRACTIVE

- POWDER COATED IN COLOR OR POLISHED STAINLESS STEEL (TEA STAIN WAIVER REQUIRED)
- MULTIPLE VARIATIONS TO BLEND IN WITH ANY ENVIRONMENT
- SPECIFIED BY MANY ARCHITECTS IN PLANS ACROSS MULTIPLE INDUSTRIES
- SEVERAL SIZES AND CONFIGURATIONS
- MAY BE COATED IN A CUSTOM COLOR TO YOUR SPECIFICATIONS (PAINT SAMPLE REQUIRE)

STANDARD COLORS *(colors simulated)*



ECONOMICAL

- NO COSTLY UPKEEP OF TRADITIONAL OUTDOOR CONDUIT/BOXES WHICH REQUIRE CYCLICAL REPAIR & REPLACEMENT
- BUILT TO WITHSTAND HARSH OUTDOOR CONDITIONS FOR YEARS OF TROUBLE-FREE USE
- COST EFFECTIVE PRICING STRUCTURE



THE OUTDOOR ELECTRIC POWER SOLUTION

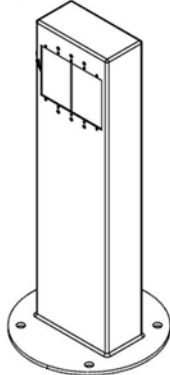


MODELS WITH MOUNTING BASE

STANDARD
[PAGE 4](#)

TWO GANG (SHOWN)
SINGLE GANG OPTIONS:
HORIZONTAL OR VERTICAL
RECEPTACLE MOUNT

(60 AMP MAX)



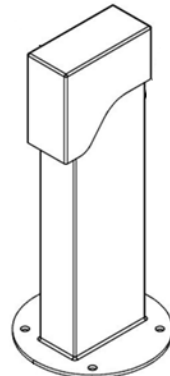
INTEGRAL BASE

ONE GANG HINGE TOP
[PAGE 5](#)

HINGE TOP COVER

- LOCKABLE (LOCKING HOLE NOT SHOWN)
- IN USE SELF-CLOSING COVER

(20 AMP MAX)



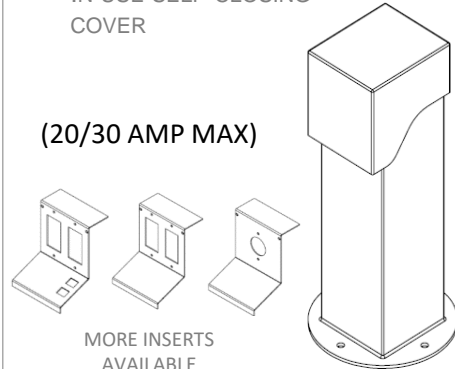
INTEGRAL BASE

TWO GANG (5x5) HINGE TOP
[PAGE 6](#)

HINGE TOP COVER

- LOCKABLE (LOCKING HOLE NOT SHOWN)
- IN USE SELF-CLOSING COVER

(20/30 AMP MAX)



MORE INSERTS AVAILABLE

INTEGRAL BASE

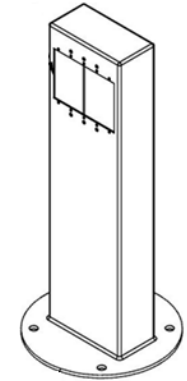
- 14 GAUGE STAINLESS STEEL. 8" DIAMETER 7 GAUGE STAINLESS STEEL BASE. MOUNTING HARDWARE FOR FOUR 7/16" HOLES INCLUDED
- GROUND CONDUCTOR TERMINAL & OPEN BASE TO ACCOMMODATE UP TO TWO 1-1/2" MAX CONDUITS

- RECEPTACLE MOUNTING HOLES PROVIDED (ACCESSORIES NOT SUPPLIED)
- MAY BE ORDERED WITH A DIVIDER FOR POWER AND DATA
- UL LISTED & RATED NEMA 3R (WEATHERPROOF)

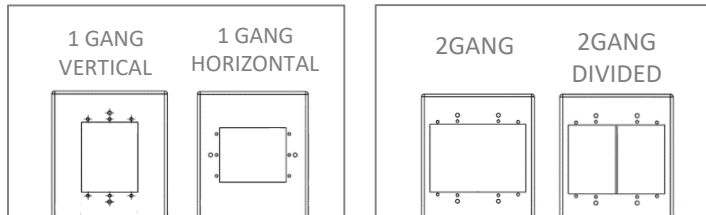


STANDARD PEDESTALS WITH MOUNTING BASE (5" WIDE X 2.5" DEEP)

HEIGHT.	TWO GANG		SINGLE GANG				TWO GANG DIVIDED	
	POWDER COATED	POLISHED FINISH	HORIZONTAL		VERTICAL		POWDER COATED	POLISHED FINISH
			POWDER COATED	POLISHED FINISH	POWDER COATED	POLISHED FINISH		
6"	2P6-C-*	2P6-SS	1P6-C-HZ-*	1P6-SS-V	1P6-C-HZ-*	1P6-SS-V	2P6-C-D-*	2P6-SS-D
12"	2P12-C-*	2P12-SS	1P12-C-HZ-*	1P12-SS-V	1P12-C-HZ-*	1P12-SS-V	2P12-C-D-*	2P12-SS-D
18"	2P18-C-*	2P18-SS	1P18-C-HZ-*	1P18-SS-V	1P18-C-HZ-*	1P18-SS-V	2P18-C-D-*	2P18-SS-D
24"	2P24-C-*	2P24-SS	1P24-C-HZ-*	1P24-SS-V	1P24-C-HZ-*	1P24-SS-V	2P24-C-D-*	2P24-SS-D
30"	2P30-C-*	2P30-SS	1P30-C-HZ-*	1P30-SS-V	1P30-C-HZ-*	1P30-SS-V	2P30-C-D-*	2P30-SS-D
36"	2P36-C-*	2P36-SS	1P36-C-HZ-*	1P36-SS-V	1P36-C-HZ-*	1P36-SS-V	2P36-C-D-*	2P36-SS-D
42"	2P42-C-*	2P42-SS	1P42-C-HZ-*	1P42-SS-V	1P42-C-HZ-*	1P42-SS-V	2P42-C-D-*	2P42-SS-D
48"	2P48-C-*	2P48-SS	1P48-C-HZ-*	1P48-SS-V	1P48-C-HZ-*	1P48-SS-V	2P48-C-D-*	2P48-SS-D



TWO GANG MODEL



- 14 GAUGE STAINLESS STEEL. 8" DIAMETER 7 GAUGE STAINLESS STEEL BASE.
- FOUR 7/16" HOLES DRILLED FOR ANCHORING
- GROUND TERMINAL & OPEN BASE FOR UP TO TWO 1-1/2" MAX CONDUITS
- RECEPTACLE MOUNTING HOLES PROVIDED (ACCESSORIES AND WEATHERPROOF COVERS NOT SUPPLIED)
- MAY BE DIVIDED FOR POWER AND DATA
- 60 AMP MAX RATING
- UL LISTED & RATED NEMA 3R (WEATHERPROOF)

PART NUMBERING INSTRUCTIONS:

INSERT COLOR CODE IN PLACE OF THE * AT THE END OF THE MODEL NUMBER (SEE PAGE 2 FOR COLOR OPTIONS). IF POLISHED STAINLESS STEEL IS REQUIRED INSERT "SS" INSTEAD OF "C"

EXAMPLE: 1P6-C-HZ-BR FOR A 6" TALL SINGLE GANG PEDESTAL, HORIZONTAL RECEPTACLE MOUNT) WITH BASE AND POWDER COATED IN BROWN FOR A POLISHED STAINLESS STEEL (SS) FINISH A [TEA STAIN WAIVER](#) MUST BE SIGNED AND SUBMITTED WITH PURCHASE ORDER



THE OUTDOOR ELECTRIC POWER SOLUTION



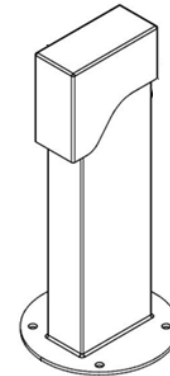
ONE GANG HINGE TOP PEDESTALS WITH MOUNTING BASE (6.13" WIDE X 2.75" DEEP)

- 14 GAUGE STAINLESS STEEL. 8" DIAMETER 7 GAUGE STAINLESS STEEL BASE. FOUR 7/16" HOLES DRILLED FOR ANCHORING.
- GROUND CONDUCTOR TERMINAL & OPEN BASE TO ACCOMMODATE UP TO TWO 1-1/2" MAX CONDUITS
- DEVICE MOUNTING INSERT FOR USE WITH 60 AMP RECEPTACLE OR SWITCH (RECEPTACLES/SWITCHES NOT SUPPLIED)
- MAY BE DIVIDED FOR POWER AND DATA
- UL LISTED & RATED NEMA 3R (WEATHERPROOF)

SINGLE GANG		
HEIGHT	POWDER COATED	POLISHED FINISH
18"	1P18-C-HT-*	1P18-SS-HT
24"	1P24-C-HT-*	1P24-SS-HT
30"	1P30-C-HT-*	1P30-SS-HT
36"	1P36-C-HT-*	1P36-SS-HT
42"	1P42-C-HT-*	1P42-SS-HT
48"	1P48-C-HT-*	1P48-SS-HT

SINGLE GANG DIVIDED		
HEIGHT	POWDER COATED	POLISHED FINISH
18"	1P18-C-D-HT-*	1P18-SS-D-HT
24"	1P24-C-D-HT-*	1P24-SS-D-HT
30"	1P30-C-D-HT-*	1P30-SS-D-HT
36"	1P36-C-D-HT-*	1P36-SS-D-HT
42"	1P42-C-D-HT-*	1P42-SS-D-HT
48"	1P48-C-D-HT-*	1P48-SS-D-HT

WHILE IN-USE SELF-CLOSING & LOCKABLE COVER



PART NUMBERING INSTRUCTIONS:

INSERT COLOR CODE IN PLACE OF THE * AT THE END OF THE MODEL NUMBER (SEE PAGE 2 FOR COLOR OPTIONS). IF POLISHED STAINLESS STEEL IS REQUIRED INSERT "SS" INSTEAD OF "C"

EXAMPLE: 1P18-C-HT-G FOR A 18" SINGLE GANG HINGE TOP PEDESTAL WITH BASE POWDER COATED IN GRAY FOR A POLISHED STAINLESS STEEL (SS) FINISH A [TEA STAIN WAIVER](#) MUST BE SIGNED AND SUBMITTED WITH PURCHASE ORDER



THE OUTDOOR ELECTRIC POWER SOLUTION

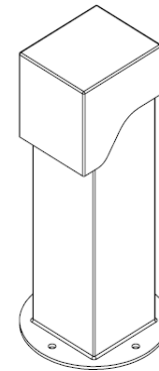


5x5 TWO GANG HINGE TOP PEDESTAL WITH MOUNTING BASE (5" WIDE X 5" DEEP)

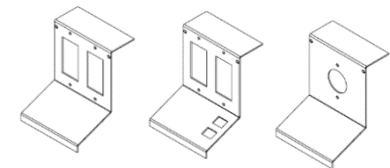
- 14 GAUGE STAINLESS STEEL. 8" DIAMETER 7 GAUGE STAINLESS STEEL BASE. FOUR 7/16" HOLES DRILLED FOR ANCHORING.
- GROUND CONDUCTOR TERMINAL & OPEN BASE TO ACCOMMODATE UP TO TWO 1-1/2" MAX CONDUITS
- DEVICE MOUNTING FOR 20 OR 30 AMP
- RECEPTACLE OR SWITCH NOT SUPPLIED
- MAY BE DIVIDED FOR POWER AND DATA (SPECIAL INSERT)
- SPECIAL INSERT FOR 30 AMP & OTHER CONFIGURATIONS AVAILABLE
- UL LISTED & RATED NEMA 3R

HEIGHT	TWO GANG		TWO GANG DIVIDED		30 AMP	
	POWDER COATED	POLISHED FINISH	POWDER COATED	POLISHED FINISH	POWDER COATED	POLISHED FINISH
18"	5P18-C-HT-1-*	5P18-SS-HT-1	5P18-C-D-HT-2-*	5P18-SS-D-HT-2	5P18-C-HT-3-*	5P18-SS-HT-3
24"	5P24-C-HT-1-*	5P24-SS-HT-1	5P24-C-D-HT-2-*	5P24-SS-D-HT-2	5P24-C-HT-3-*	5P24-SS-HT-3
30"	5P30-C-HT-1-*	5P30-SS-HT-1	5P30-C-D-HT-2-*	5P30-SS-D-HT-2	5P30-C-HT-3-*	5P30-SS-HT-3
36"	5P36-C-HT-1-*	5P36-SS-HT-1	5P36-C-D-HT-2-*	5P36-SS-D-HT-2	5P36-C-HT-3-*	5P36-SS-HT-3
42"	5P42-C-HT-1-*	5P42-SS-HT-1	5P42-C-D-HT-2-*	5P42-SS-D-HT-2	5P42-C-HT-3-*	5P42-SS-HT-3
48"	5P48-C-HT-1-*	5P48-SS-HT-1	5P48-C-D-HT-2-*	5P48-SS-D-HT-2	5P48-C-HT-3-*	5P48-SS-HT-3

WHILE IN-USE SELF-CLOSING & LOCKABLE COVER



20/30 AMP MAX. (EMAIL FOR OTHER CONFIGURATIONS)



PART NUMBERING INSTRUCTIONS:

INSERT COLOR CODE IN PLACE OF THE * AT THE END OF THE MODEL NUMBER (SEE PAGE 3 FOR COLOR OPTIONS). IF POLISHED STAINLESS STEEL IS REQUIRED INSERT "SS" INSTEAD OF "C"

EXAMPLE: 5P36-C-HT-BR FOR A 36" TALL, TWO GANG HINGE TOP PEDESTAL WITH BASE POWDER COATED IN BROWN

FOR A POLISHED STAINLESS STEEL (SS) FINISH A [TEA STAIN WAIVER](#) MUST BE SIGNED AND SUBMITTED WITH PURCHASE ORDER



THE OUTDOOR ELECTRIC POWER SOLUTION



MODELS WITHOUT MOUNTING BASE

STANDARD

[PAGE 8](#)

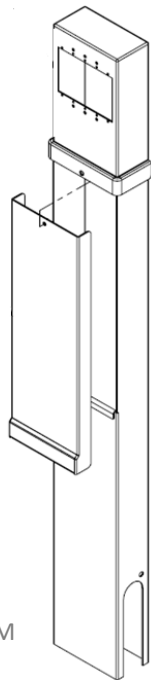
TWO GANG (SHOWN)
SINGLE GANG OPTIONS:
HORIZONTAL OR VERTICAL
RECEPTACLE MOUNT

(60 AMP MAX)

REMOVABLE ACCESS
COVER

MUST BE BURIED
24" BELOW GRADE

OPEN BOTTOM



1 GANG HINGE TOP

[PAGE 9](#)

HINGE TOP COVER

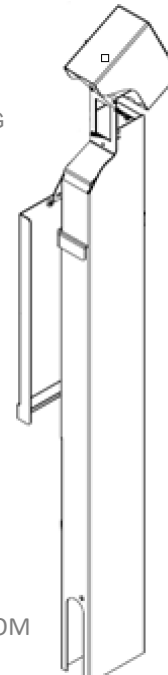
- LOCKABLE (LOCKING HOLE NOT SHOWN)
- IN USE SELF-CLOSING COVER

(20 AMP MAX)

REMOVABLE ACCESS
COVER

MUST BE BURIED
24" BELOW GRADE

OPEN BOTTOM



2 GANG HINGE TOP (5x5)

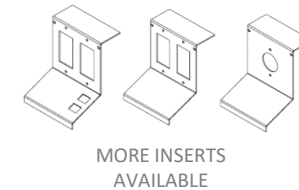
[PAGE 10](#)

HINGE TOP COVER

- LOCKABLE (LOCKING HOLE NOT SHOWN)
- IN USE SELF-CLOSING COVER

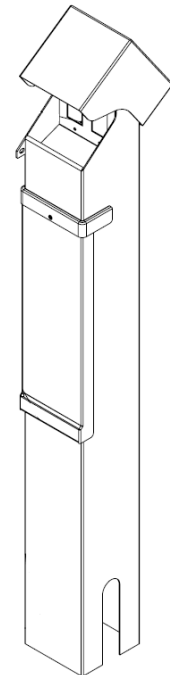
(20/30 AMP MAX)

REMOVABLE ACCESS
COVER



MORE INSERTS
AVAILABLE

OPEN BOTTOM



- 14 GAUGE STAINLESS STEEL
- OPEN BOTTOM AND REMOVABLE FRONT ACCESS COVER FOR EASY INSTALLATION

- RECEPTACLE MOUNTING HOLES PROVIDED (ACCESSORIES NOT SUPPLIED)
- MAY BE ORDERED WITH A DIVIDER FOR POWER AND DATA
- UL LISTED & RATED NEMA 3R (WEATHERPROOF)



THE OUTDOOR ELECTRIC POWER SOLUTION



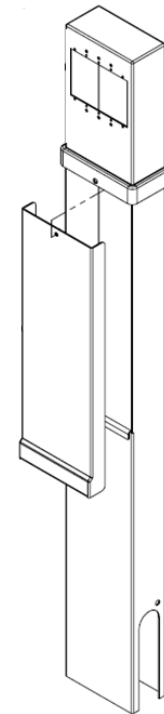
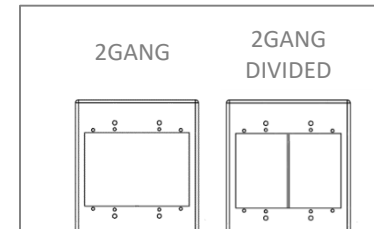
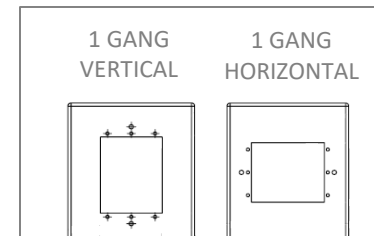
STANDARD PEDESTALS WITHOUT MOUNTING BASE (5" WIDE X 2.5" DEEP)

- 14 GAUGE STAINLESS STEEL
- FOR USE WITH 60 AMP MAX RECEPTACLES/SWITCHES (ACCESSORIES NOT SUPPLIED)
- OPEN BOTTOM AND REMOVABLE FRONT ACCESS COVER FOR EASY INSTALLATION
- TWO GANG MAY BE DIVIDED FOR POWER AND DATA
- MUST BE BURIED A MINIMUM 24" DEEP
- UL LISTED & RATED NEMA 3R (WEATHERPROOF)

SINGLE GANG				
HEIGHT	HORIZONTAL		VERTICAL	
	POWDER COATED	POLISHED FINISH	POWDER COATED	POLISHED FINISH
42"	142-C-HZ-*	142-C-V-*	142-SS-HZ	142-SS-V
48"	148-C-HZ-*	148-C-V-*	148-SS-HZ	148-SS-V
54"	154-C-HZ-*	154-C-V-*	154-SS-HZ	154-SS-V

TWO GANG		
HEIGHT	POWDER COATED	POLISHED FINISH
42"	242-C-*	242-SS
48"	248-C-*	248-SS
54"	248-C-*	254-SS

TWO GANG DIVIDED		
HEIGHT	POWDER COATED	POLISHED FINISH
42"	242-C-D-*	242-SS-D
48"	248-C-D-*	248-SS-D
54"	254-C-D-*	254-SS-D



PART NUMBERING INSTRUCTIONS:

INSERT COLOR CODE IN PLACE OF THE * AT THE END OF THE MODEL NUMBER (SEE PAGE 3 FOR COLOR OPTIONS). IF POLISHED STAINLESS STEEL IS REQUIRED INSERT "SS" INSTEAD OF "C"

EXAMPLE: **242-C-G** FOR A 42" TALL, TWO GANG PEDESTAL WITHOUT BASE POWDER COATED IN GRAY

FOR A #4 POLISHED STAINLESS STEEL (SS) FINISH A [TEA STAIN WAIVER](#) MUST BE SIGNED AND SUBMITTED WITH PURCHASE ORDER



THE OUTDOOR ELECTRIC POWER SOLUTION



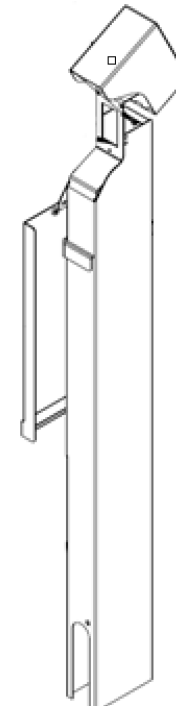
ONE GANG HINGE TOP PEDESTALS WITHOUT MOUNTING BASE (6.13" WIDE X 2.75" DEEP)

- 14 GAUGE STAINLESS STEEL
- FOR USE WITH 20 AMP MAX RECEPTACLES/SWITCHES
- OPEN BOTTOM AND REMOVABLE FRONT ACCESS COVER FOR EASY INSTALLATION
- MAY BE DIVIDED FOR HIGH/LOW VOLTAGE APPLICATIONS
- GROUND CONDUCTOR TERMINAL & OPEN BASE TO ACCOMMODATE UP TO TWO 1-1/2" MAX CONDUITS
- DEVICE MOUNTING INSERT FOR USE WITH 20 AMP RECEPTACLE
- RECEPTACLE OR SWITCH (RECEPTACLES/SWITCHES NOT SUPPLIED)
- MUST BE BURIED A MINIMUM 24" DEEP
- UL LISTED & RATED NEMA 3R (WEATHERPROOF)

WHILE IN-USE SELF-CLOSING & LOCKABLE COVER

<i>SINGLE GANG</i>		
HEIGHT	POWDER COATED	POLSISHED FINISH
42"	142-C-HT-*	142-SS-HT
48"	148-C-HT-*	148-SS-HT
54"	154-C-HT-*	154-SS-HT

<i>SINGLE GANG DIVIDED</i>		
HEIGHT	POWDER COATED	POLSISHED FINISH
42"	142-C-D-HT-*	142-SS-D-HT
48"	148-C-D-HT-*	148-SS-D-HT
54"	154-C-D-HT-*	154-SS-D-HT



PART NUMBERING INSTRUCTIONS:

INSERT COLOR CODE IN PLACE OF THE * AT THE END OF THE MODEL NUMBER (SEE PAGE 3 FOR COLOR OPTIONS). IF POLISHED STAINLESS STEEL IS REQUIRED INSERT "SS" INSTEAD OF "C"

EXAMPLE: 148-SS-HT FOR A 48" TALL, SINGLE GANG HINGE TOP, WITHOUT BASE FINISHED IN **POLISHED STAINLESS STEEL**

FOR A #4 POLISHED STAINLESS STEEL (SS) FINISH A [TEA STAIN WAIVER](#) MUST BE SIGNED AND SUBMITTED WITH PURCHASE ORDER

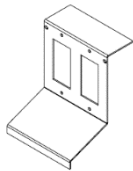


5x5 TWO GANG HINGE TOP PEDESTAL WITHOUT MOUNTING BASE

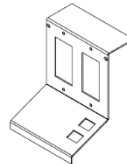
IN-USE SELF-CLOSING & LOCKABLE COVER (6.3" WIDE X 5.25" DEEP)

- CONSTRUCTED OF 14 GAUGE STAINLESS STEEL
- EACH UNIT HAS A GROUND CONDUCTOR TERMINAL AND WILL ACCOMMODATE UP TO TWO 1-1/2" MAX CONDUITS
- OPEN BOTTOM AND REMOVABLE FRONT ACCESS COVER ALLOWS FOR EASY INSTALLATION
- DEVICE MOUNTING INSERT FOR USE WITH EITHER 20 OR 30 AMP RECEPTACLE OR SWITCH (RECEPTACLES/SWITCHES NOT SUPPLIED)
- MAY BE DIVIDED FOR POWER AND DATA (SPECIAL INSERT)
- MUST BE BURIED A MINIMUM 24" DEEP
- UL LISTED & RATED NEMA 3R

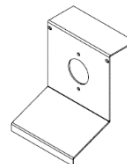
WHILE IN-USE
SELF-CLOSING &
LOCKABLE COVER



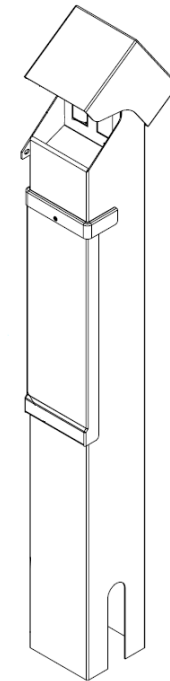
TWO GANG (USE -1)		
HEIGHT	POWDER COATED	POLISHED FINISH
42"	542-C-HT-1-*	542-SS-HT-1
48"	548-C-HT-1-*	548-SS-HT-1
54"	554-C-HT-1-*	554-SS-HT-1



TWO GANG DIVIDED (USE -1)		
HEIGHT	POWDER COATED	POLISHED FINISH
42"	542-C-D-HT-2-*	542-SS-D-HT-2
48"	548-C-D-HT-2-*	548-SS-D-HT-2
54"	554-C-D-HT-2*	554-SS-D-HT-2



30 AMP (USE -3)		
HEIGHT	POWDER COATED	POLISHED FINISH
42"	542-C-HT-3-*	542-SS-HT-3
48"	548-C-HT-3-*	548-SS-HT-3
54"	554-C-HT-3-*	554-SS-HT-3



PART NUMBERING INSTRUCTIONS:

INSERT COLOR CODE IN PLACE OF THE * AT THE END OF THE MODEL NUMBER (SEE PAGE 3 FOR COLOR OPTIONS). IF POLISHED STAINLESS STEEL IS REQUIRED INSERT "SS" INSTEAD OF "C"

EXAMPLE: 554-C-HT-1-**GN** FOR A 54" TALL, TWO GANG 5 X 5 PEDESTAL, WITHOUT BASE POWDER COATED IN **GREEN**

FOR A #4 POLISHED STAINLESS STEEL (SS) FINISH A [TEA STAIN WAIVER](#) MUST BE SIGNED AND SUBMITTED WITH PURCHASE ORDER



THE OUTDOOR ELECTRIC POWER SOLUTION

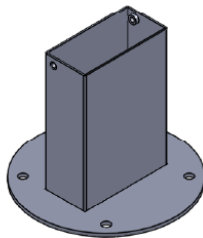


ACCESSORY: PMB – PEDESTAL MOUNTING BRACKETS (under UL review)

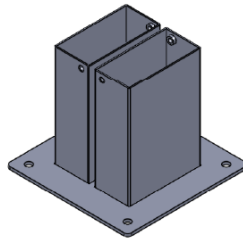
- PMB'S SUPPORT PEDOC'S ON A FLAT SURFACE, AT OR ABOVE GRADE
- MADE FROM 14 GAUGE STAINLESS STEEL
- USED WITH MODELS WITHOUT AN INTEGRAL BASE

AVAILABLE IN 2 CONFIGURATIONS

SINGLE PMB (8" DIAMETER BASE)
MODEL # **PMB-C-S-***



DOUBLE PMB (8" SQUARE BASE)
MODEL # **PMB-C-2BB-***



PEDOC UNIT(S) SLIDES DOWN INTO THE HOUSING (SINGLE OR DOUBLE) AND IS SECURED WITH SCREWS ON HOUSING SIDES

BRACKETS PROVIDED TO SUPPORT PEDOC'S ON A FLAT SURFACE AT OR ABOVE GRADE WITHOUT HAVING THE LOWER SECTION BURIED INTO THE GROUND

OPEN BOTTOM FOR WIREING



PART NUMBERING INSTRUCTIONS:

INSERT COLOR CODE IN PLACE OF THE * AT THE END OF THE MODEL NUMBER (SEE PAGE 3 FOR COLOR OPTIONS). IF POLISHED STAINLESS STEEL IS REQUIRED INSERT "SS" INSTEAD OF "C"

EXAMPLE: PMB-C-S-B FOR A SINGLE GANG PEDESTAL MOUNTING BASE POWDER COATED IN **BLACK**

FOR A #4 POLISHED STAINLESS STEEL (SS) FINISH A [TEA STAIN WAIVER](#) MUST BE SIGNED AND SUBMITTED WITH PURCHASE ORDER