

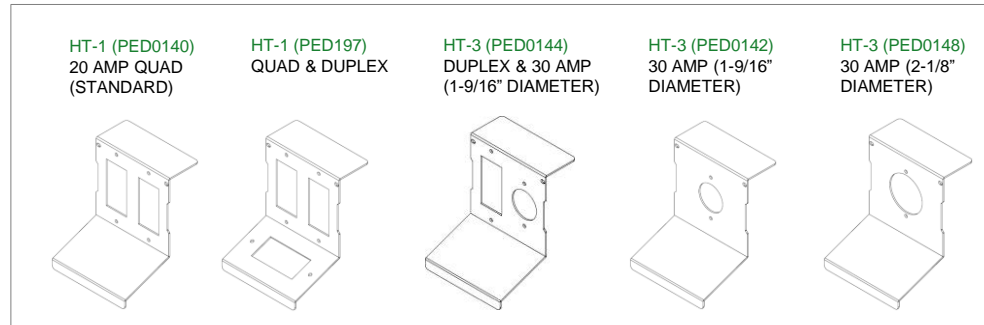


THE OUTDOOR ELECTRIC POWER SOLUTION

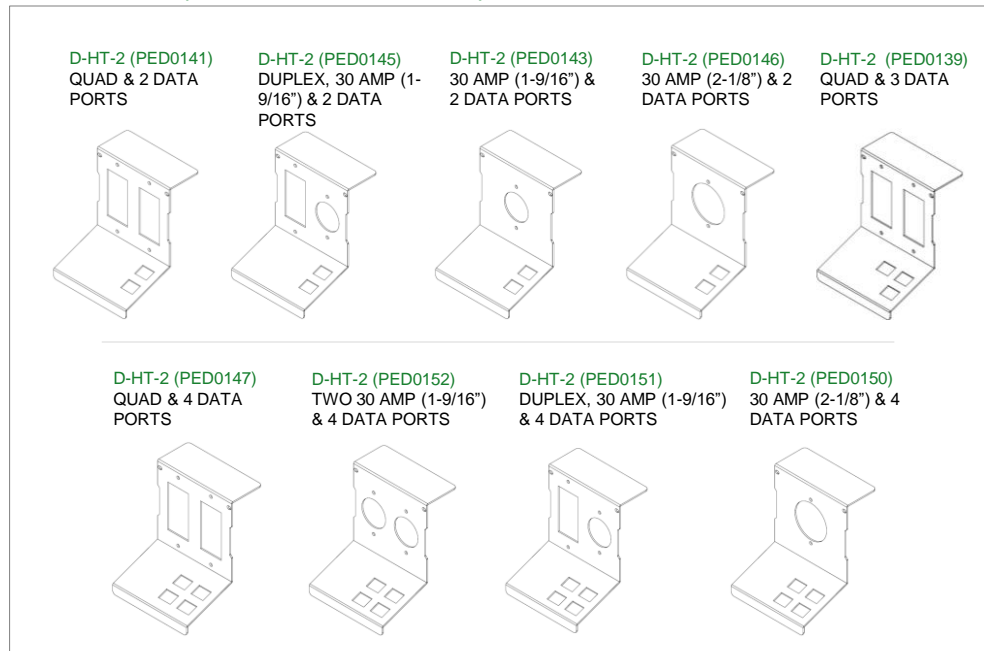


## 5x5 MODEL MOUNTING PLATE OPTIONS

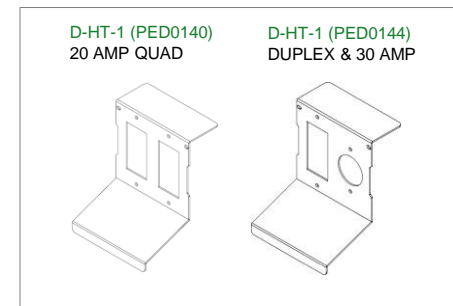
### POWER ONLY CONFIGURATIONS: (HT-1, HT-3)



### POWER & DATA (CORNER DIVIDED: "D-HT-2")



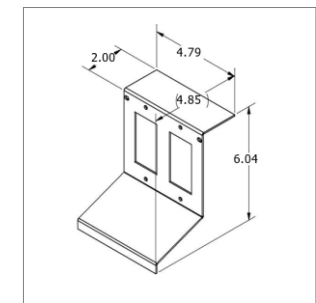
### POWER & DATA (CENTER DIVIDED) "D-HT-1"



### ADDITIONAL



### DIMENSIONS (TYPICAL)



RECEPTACLES NOT SUPPLIED