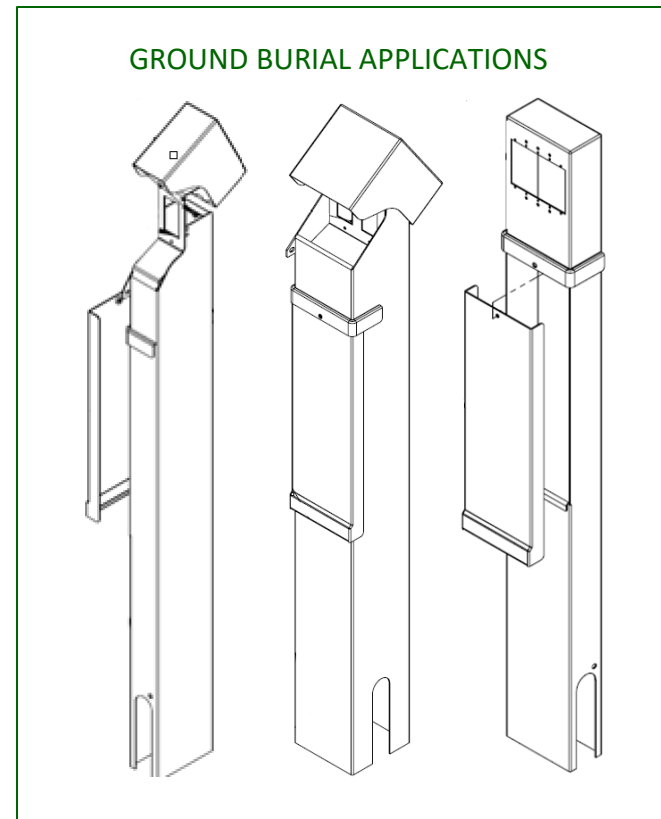
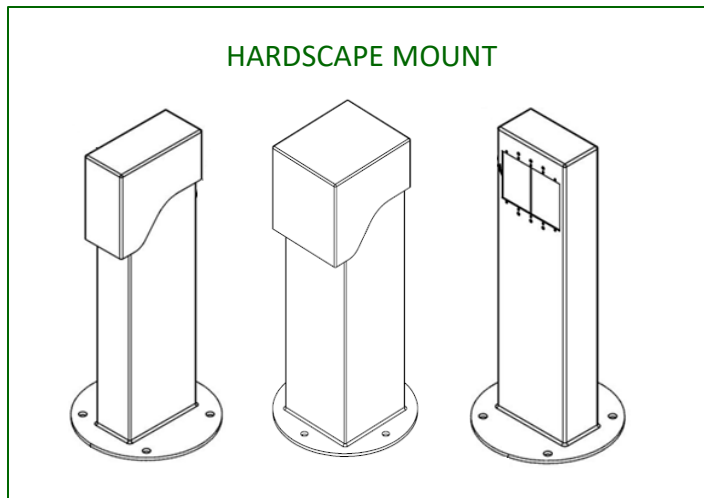




THE OUTDOOR ELECTRIC POWER SOLUTION



Durable, Attractive & Economical Power/Data Solutions that are so resilient **there is no need for replacement parts – ever!**



PERFECT SOLUTIONS FOR...

- HIGH-RISE BALCONIES
- RIVERWALKS
- STADIUMS
- CHARGING STATIONS
- FAIRS
- STREETSCAPES
- PARKS
- AMENITY DECKS
- CAMPGROUNDS
- UNIVERSITY CAMPUSES

MANY MORE!



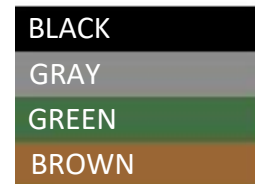
DURABLE

- NO NEED FOR REPLACEMENT PARTS – EVER!
- PROVIDES LONG LASTING PROTECTION FROM EXPOSURE TO DANGEROUSLY CORRODED AND EXPOSED ELECTRICAL WIRES
- SOLIDLY CONSTRUCTED FROM 14 GAUGE STAINLESS STEEL
- UL LISTED & RATED NEMA 3R
- SUITABLE FOR WET LOCATIONS
- HINGE TOP MODELS HAVE A LOCKABLE WHILE IN-USE SELF-CLOSING COVER

ATTRACTIVE

- PAINTED STAINLESS STEEL OR BRUSHED STAINLESS STEEL FINISHES
- MULTIPLE COLOR VARIATIONS TO BLEND IN WITH ANY ENVIRONMENT
- SPECIFIED BY MANY ARCHITECTS IN PLANS ACROSS MULTIPLE INDUSTRIES
- SEVERAL SIZES AND CONFIGURATIONS AVAILABLE
- CUSTOM COLOR AVAILABLE WITH A CUSTOMER SUPPLIED PAINT CHIP
- CUSTOMIZABLE KNOCKOUTS (CALL FOR OPTIONS)

STANDARD PAINT *(colors simulated)*



BRUSHED STAINLESS



*(additional fee or min.
order may be req'd for
brown and green)*

ECONOMICAL

- NO COSTLY UPKEEP OF TRADITIONAL OUTDOOR CONDUIT/BOXES WHICH REQUIRE CYCLICAL REPAIR & REPLACEMENT
- BUILT TO WITHSTAND HARSH OUTDOOR CONDITIONS FOR YEARS OF TROUBLE-FREE USE
- COST EFFECTIVE PRICING STRUCTURE



THE OUTDOOR ELECTRIC POWER SOLUTION



MODELS WITH MOUNTING BASE

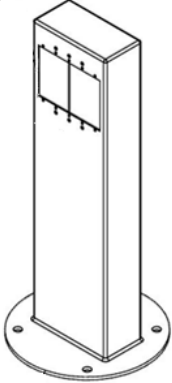
[STANDARD](#)
[PAGE 4](#)

RECEPTACLE OPENING

- TWO GANG (SHOWN)
- ONE GANG HORIZONTAL
- ONE GANG VERTICAL

COVERS NOT SUPPLIED

(60 AMP MAX)



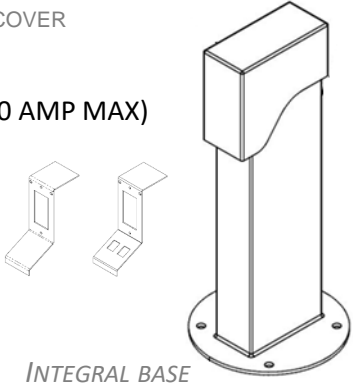
INTEGRAL BASE

[ONE GANG HINGE TOP](#)
[PAGE 5](#)

HINGE TOP COVER

- LOCKABLE WHILE IN-USE (LOCKING HOLE NOT SHOWN)
- IN USE SELF-CLOSING COVER

(20 AMP MAX)



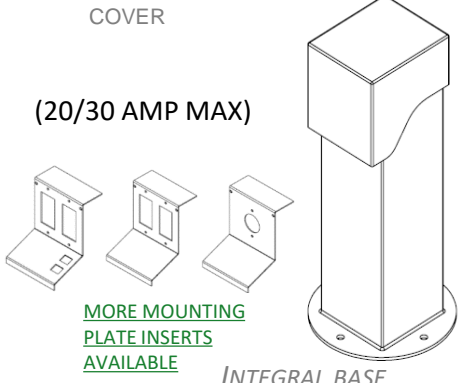
INTEGRAL BASE

[TWO GANG \(5x5\) HINGE TOP](#)
[PAGE 6](#)

HINGE TOP COVER

- LOCKABLE WHILE IN-USE (LOCKING HOLE NOT SHOWN)
- IN USE SELF-CLOSING COVER

(20/30 AMP MAX)



MORE MOUNTING
PLATE INSERTS
AVAILABLE

INTEGRAL BASE

- 14 GAUGE STAINLESS STEEL. 8" DIAMETER 7 GAUGE STAINLESS STEEL BASE. MOUNTING HARDWARE FOR FOUR 7/16" HOLES INCLUDED
- GROUND CONDUCTOR TERMINAL & OPEN BASE TO ACCOMMODATE UP TO TWO 1-1/2" MAX CONDUITS

- RECEPTACLE MOUNTING HOLES PROVIDED (ACCESSORIES NOT SUPPLIED)
- MAY BE ORDERED WITH A DIVIDER FOR POWER AND DATA
- UL LISTED & RATED NEMA 3R (WEATHERPROOF)
- SUITABLE FOR WET LOCATIONS



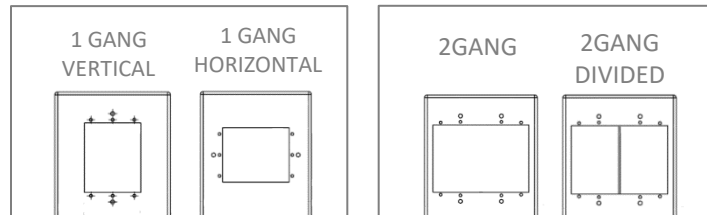
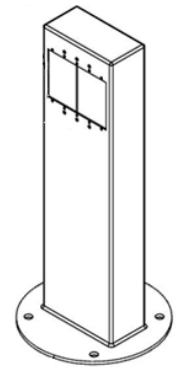
THE OUTDOOR ELECTRIC POWER SOLUTION



STANDARD PEDESTALS WITH MOUNTING BASE

HEIGHT.	TWO GANG		SINGLE GANG				TWO GANG DIVIDED FOR HIGH/LOW VOLTAGE	
	PAINTED STAINLESS STEEL	POLISHED STAINLESS STEEL	HORIZONTAL		VERTICAL		PAINTED STAINLESS STEEL	POLISHED STAINLESS STEEL
			PAINTED STAINLESS STEEL	POLISHED STAINLESS STEEL	PAINTED STAINLESS STEEL	POLISHED STAINLESS STEEL		
6"	2P6-C-*	2P6-SS	1P6-C-HZ-*	1P6-SS-HZ	1P6-C-V-*	1P6-SS-V	2P6-C-D-*	2P6-SS-D
12"	2P12-C-*	2P12-SS	1P12-C-HZ-*	1P12-SS-HZ	1P12-C-V-*	1P12-SS-V	2P12-C-D-*	2P12-SS-D
18"	2P18-C-*	2P18-SS	1P18-C-HZ-*	1P18-SS-HZ	1P18-C-V-*	1P18-SS-V	2P18-C-D-*	2P18-SS-D
24"	2P24-C-*	2P24-SS	1P24-C-HZ-*	1P24-SS-HZ	1P24-C-V-*	1P24-SS-V	2P24-C-D-*	2P24-SS-D
30"	2P30-C-*	2P30-SS	1P30-C-HZ-*	1P30-SS-HZ	1P30-C-V-*	1P30-SS-V	2P30-C-D-*	2P30-SS-D
36"	2P36-C-*	2P36-SS	1P36-C-HZ-*	1P36-SS-HZ	1P36-C-V-*	1P36-SS-V	2P36-C-D-*	2P36-SS-D
42"	2P42-C-*	2P42-SS	1P42-C-HZ-*	1P42-SS-HZ	1P42-C-V-*	1P42-SS-V	2P42-C-D-*	2P42-SS-D
48"	2P48-C-*	2P48-SS	1P48-C-HZ-*	1P48-SS-HZ	1P48-C-V-*	1P48-SS-V	2P48-C-D-*	2P48-SS-D

TWO GANG MODEL



- CONSTRUCTED OF 14 GAUGE STAINLESS STEEL
- 8" DIAMETER 7 GAUGE STAINLESS STEEL BASE
- FOUR 7/16" PRE-DRILLED HOLES FOR EASY MOUNTING
- GROUND TERMINAL & OPEN BASE FOR UP TO TWO 1-1/2" MAX CONDUITS
- RECEPTACLE MOUNTING HOLES PROVIDED FOR SWITCHES (RECEPTACLES AND WEATHERPROOF COVERS NOT SUPPLIED)
- MAY BE DIVIDED FOR POWER AND DATA
- 60 AMP MAX RATING
- UL LISTED & RATED NEMA 3R (WEATHERPROOF)
- SUITABLE FOR WET LOCATIONS
- 5" WIDE X 2.5" DEEP

PART NUMBERING INSTRUCTIONS:

INSERT COLOR CODE IN PLACE OF THE * AT THE END OF THE MODEL NUMBER (SEE PAGE 2 FOR COLOR OPTIONS). FOR BRUSHED STAINLESS STEEL INSERT "SS" INSTEAD OF "C"

EXAMPLE: 1P6-C-HZ-BR FOR A SINGLE GANG 6" PEDESTAL WITH BASE WITH HORIZONTAL RECEPTACLE CUTOUT POWDER COATED IN BROWN

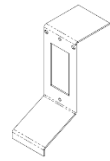
RECEPTACLES AND WEATHERPROOF COVERS NOT SUPPLIED



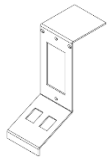
THE OUTDOOR ELECTRIC POWER SOLUTION



ONE GANG HINGE TOP PEDESTALS WITH BASE



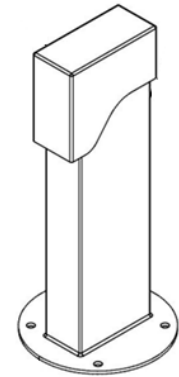
SINGLE GANG		
HEIGHT	PAINTED STAINLESS STEEL	POLISHED STAINLESS STEEL
18"	1P18-C-HT-*	1P18-SS-HT
24"	1P24-C-HT-*	1P24-SS-HT
30"	1P30-C-HT-*	1P30-SS-HT
36"	1P36-C-HT-*	1P36-SS-HT
42"	1P42-C-HT-*	1P42-SS-HT
48"	1P48-C-HT-*	1P48-SS-HT



SINGLE GANG DIVIDED (POWER & DATA)		
HEIGHT	PAINTED STAINLESS STEEL	POLISHED STAINLESS STEEL
18"	1P18-C-D-HT-*	1P18-SS-D-HT
24"	1P24-C-D-HT-*	1P24-SS-D-HT
30"	1P30-C-D-HT-*	1P30-SS-D-HT
36"	1P36-C-D-HT-*	1P36-SS-D-HT
42"	1P42-C-D-HT-*	1P42-SS-D-HT
48"	1P48-C-D-HT-*	1P48-SS-D-HT

- WEATHERPROOF & LOCKABLE WHILE-IN USE
- COMPLETELY WELDED CONSTRUCTION IN 14 & 7 GAUGE STAINLESS STEEL
- WELDED BASE & COVER
- FOUR 7/16" PRE-DRILLED HOLES DRILLED FOR EASY MOUNTING
- GROUND CONDUCTOR TERMINAL & OPEN BASE TO ACCOMMODATE UP TO TWO 1-1/2" MAX CONDUITS
- DEVICE MOUNTING INSERT FOR USE WITH 20 AMP RECEPTACLE OR SWITCH (RECEPTACLES, LOCKS & SWITCHES NOT SUPPLIED)
- MAY BE DIVIDED FOR POWER AND DATA
- UL LISTED & RATED NEMA 3R (WEATHERPROOF)
- SUITABLE FOR WET LOCATIONS
- 6.13" WIDE X 2.75" DEEP

WEATHERPROOF & LOCKABLE WHILE IN-USE COVER



PART NUMBERING INSTRUCTIONS:

INSERT COLOR CODE IN PLACE OF THE * AT THE END OF THE MODEL NUMBER (SEE PAGE 2 FOR COLOR OPTIONS). FOR BRUSHED STAINLESS STEEL INSERT "SS" INSTEAD OF "C"

EXAMPLE: 1P18-C-HT-**G** FOR A 18" SINGLE GANG HINGE TOP PEDESTAL WITH BASE POWDER COATED IN **GRAY**

RECEPTACLES NOT SUPPLIED

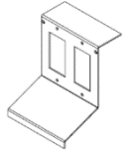


THE OUTDOOR ELECTRIC POWER SOLUTION

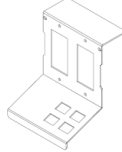


5x5 TWO GANG HINGE TOP PEDESTAL WITH BASE

- SUITABLE FOR WET LOCATIONS
- CONSTRUCTED OF 14 GAUGE STAINLESS STEEL
- 8.5" DIAMETER 7 GAUGE STAINLESS STEEL BASE
- FOUR 7/16" HOLES DRILLED FOR ANCHORING
- GROUND CONDUCTOR TERMINAL & OPEN BASE TO ACCOMMODATE UP TO TWO 1-1/2" MAX CONDUITS
- RECEPTACLE OR SWITCH NOT SUPPLIED
- MAY BE DIVIDED FOR POWER AND DATA (SPECIAL INSERT)
- SPECIAL INSERT FOR 30 AMP & OTHER CONFIGURATIONS AVAILABLE
- UL LISTED & RATED NEMA 3R
- SUITABLE FOR WET LOCATIONS
- 5" WIDE X 5" DEEP

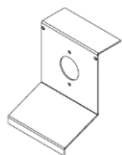
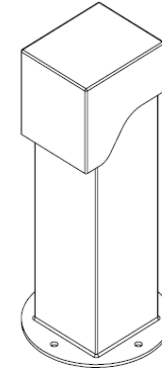


HEIGHT	STANDARD TWO GANG	
	PAINTED STAINLESS STEEL	POLISHED STAINLESS STEEL
18"	5P18-C-HT-1-*	5P18-SS-HT-1
24"	5P24-C-HT-1-*	5P24-SS-HT-1
30"	5P30-C-HT-1-*	5P30-SS-HT-1
36"	5P36-C-HT-1-*	5P36-SS-HT-1
42"	5P42-C-HT-1-*	5P42-SS-HT-1
48"	5P48-C-HT-1-*	5P48-SS-HT-1

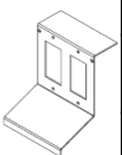


HEIGHT	CORNER DIVIDED FOR POWER/DATA	
	PAINTED STAINLESS STEEL	POLISHED STAINLESS STEEL
18"	5P18-C-D-HT-2-*	5P18-SS-D-HT-2
24"	5P24-C-D-HT-2-*	5P24-SS-D-HT-2
30"	5P30-C-D-HT-2-*	5P30-SS-D-HT-2
36"	5P36-C-D-HT-2-*	5P36-SS-D-HT-2
42"	5P42-C-D-HT-2-*	5P42-SS-D-HT-2
48"	5P48-C-D-HT-2-*	5P48-SS-D-HT-2

WEATHERPROOF & LOCKABLE WHILE IN-USE COVER



HEIGHT	30 AMP	
	PAINTED STAINLESS STEEL	POLISHED STAINLESS STEEL
18"	5P18-C-HT-3-*	5P18-SS-HT-3
24"	5P24-C-HT-3-*	5P24-SS-HT-3
30"	5P30-C-HT-3-*	5P30-SS-HT-3
36"	5P36-C-HT-3-*	5P36-SS-HT-3
42"	5P42-C-HT-3-*	5P42-SS-HT-3
48"	5P48-C-HT-3-*	5P48-SS-HT-3



HEIGHT	CENTER DIVIDED FOR POWER/DATA	
	PAINTED STAINLESS STEEL	POLISHED STAINLESS STEEL
18"	5P18-C-D-HT-1-*	5P18-SS-D-HT-1
24"	5P24-C-D-HT-1-*	5P24-SS-D-HT-1
30"	5P30-C-D-HT-1-*	5P30-SS-D-HT-1
36"	5P36-C-D-HT-1-*	5P36-SS-D-HT-1
42"	5P42-C-D-HT-1-*	5P42-SS-D-HT-1
48"	5P48-C-D-HT-1-*	5P48-SS-D-HT-1

PART NUMBERING INSTRUCTIONS:
 INSERT COLOR CODE IN PLACE OF THE * AT THE END OF THE MODEL NUMBER (SEE PAGE 3 FOR COLOR OPTIONS). FOR BRUSHED STAINLESS STEEL INSERT "SS" INSTEAD OF "C".

EXAMPLE: 5P36-C-HT-BR FOR A 36" TWO GANG HINGE TOP PEDESTAL WITH BASE POWDER COATED IN BROWN

RECEPTACLES NOT SUPPLIED

MORE MOUNTING PLATE INSERTS AVAILABLE



THE OUTDOOR ELECTRIC POWER SOLUTION



MODELS WITHOUT MOUNTING BASE

STANDARD

PAGE 8

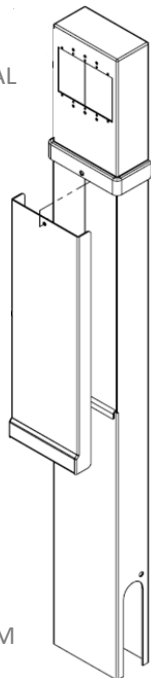
RECEPTACLE OPENING
• TWO GANG (SHOWN)
• ONE GANG HORIZONTAL
• ONE GANG VERTICAL
COVERS NOT SUPPLIED

REMOVABLE ACCESS
COVER

MUST BE BURIED
24" BELOW GRADE

OPEN BOTTOM

(60 AMP MAX)



1 GANG HINGE TOP

PAGE 9

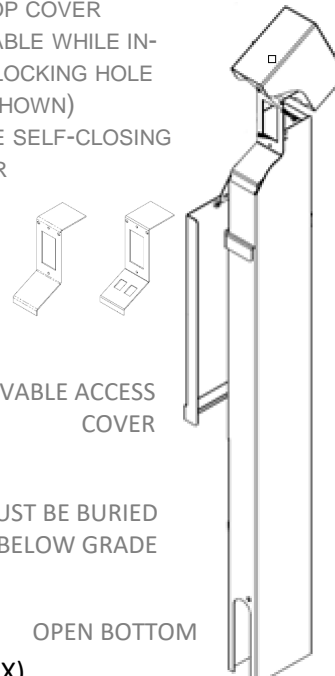
HINGE TOP COVER
• LOCKABLE WHILE IN-
USE (LOCKING HOLE
NOT SHOWN)
• IN USE SELF-CLOSING
COVER

REMOVABLE ACCESS
COVER

MUST BE BURIED
24" BELOW GRADE

OPEN BOTTOM

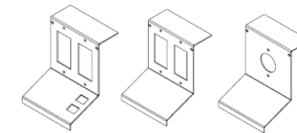
(20 AMP MAX)



2 GANG (5X5) HINGE TOP

PAGE 10

HINGE TOP COVER
• LOCKABLE (LOCKING
HOLE NOT SHOWN)
• IN USE SELF-CLOSING
COVER



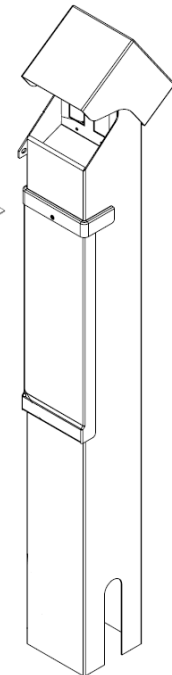
MORE MOUNTING PLATE
INSERTS AVAILABLE

REMOVABLE ACCESS
COVER

MUST BE BURIED
24" BELOW GRADE

OPEN BOTTOM

(20/30 AMP MAX)



- 14 GAUGE STAINLESS STEEL
- OPEN BOTTOM AND REMOVABLE FRONT ACCESS COVER FOR EASY INSTALLATION
- RECEPTACLE MOUNTING HOLES PROVIDED (RECEPTACLES NOT SUPPLIED)

- MAY BE ORDERED WITH A DIVIDER FOR POWER AND DATA
- UL LISTED & RATED NEMA 3R (WEATHERPROOF)
- SUITABLE FOR WET LOCATIONS



THE OUTDOOR ELECTRIC POWER SOLUTION

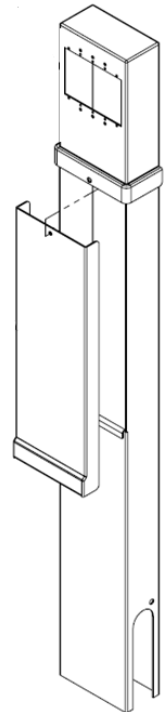
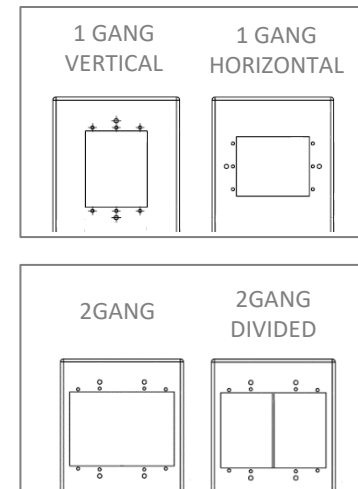


STANDARD PEDESTALS WITHOUT BASE

- CONSTRUCTED OF 14 GAUGE STAINLESS STEEL
- FOR USE WITH 60 AMP MAX RECEPTACLES/SWITCHES (ACCESSORIES NOT SUPPLIED)
- OPEN BOTTOM AND REMOVABLE FRONT ACCESS COVER FOR EASY INSTALLATION
- TWO GANG MAY BE DIVIDED FOR POWER AND DATA
- MUST BE BURIED A MINIMUM 24" DEEP
- UL LISTED & RATED NEMA 3R (WEATHERPROOF)
- SUITABLE FOR WET LOCATIONS
- 5" WIDE X 2.5" DEEP

SINGLE GANG				
HEIGHT	HORIZONTAL		VERTICAL	
	PAINTED	POLISHED	PAINTED	POLISHED
	STAINLESS STEEL	STAINLESS STEEL	STAINLESS STEEL	STAINLESS STEEL
42"	142-C-HZ-*	142-SS-HZ	142-C-V-*	142-SS-V
48"	148-C-HZ-*	148-SS-HZ	148-C-V-*	148-SS-V
54"	154-C-HZ-*	154-SS-HZ	154-C-V-*	154-SS-V

TWO GANG			TWO GANG DIVIDED		
HEIGHT	PAINTED	POLISHED	HEIGHT	PAINTED	POLISHED
	STAINLESS STEEL	STAINLESS STEEL		STAINLESS STEEL	STAINLESS STEEL
42"	242-C-*	242-SS	42"	242-C-D-*	242-SS-D
48"	248-C-*	248-SS	48"	248-C-D-*	248-SS-D
54"	254-C-*	254-SS	54"	254-C-D-*	254-SS-D



PART NUMBERING INSTRUCTIONS:

INSERT COLOR CODE IN PLACE OF THE * AT THE END OF THE MODEL NUMBER (SEE PAGE 3 FOR COLOR OPTIONS). FOR BRUSHED STAINLESS STEEL INSERT "SS" INSTEAD OF "C".

EXAMPLE: [242-C-G](#) FOR A TWO GANG CUTOUT, 42" LONG, GROUND BURIAL PEDESTAL WITHOUT BASE POWDER COATED IN GRAY

RECEPTACLES AND COVERS NOT SUPPLIED



THE OUTDOOR ELECTRIC POWER SOLUTION

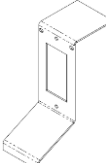


ONE GANG HINGE TOP PEDESTALS WITH BASE

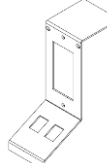
- CONSTRUCTED OF 14 GAUGE STAINLESS STEEL
- FOR USE WITH 20 AMP MAX RECEPTACLES/SWITCHES
- OPEN BOTTOM AND REMOVABLE FRONT ACCESS COVER FOR EASY INSTALLATION
- MAY BE DIVIDED FOR HIGH/LOW VOLTAGE APPLICATIONS
- GROUND CONDUCTOR TERMINAL & OPEN BASE TO ACCOMMODATE UP TO TWO 1-1/2" MAX CONDUITS

- DEVICE MOUNTING INSERT FOR USE WITH 20 AMP RECEPTACLE
- RECEPTACLE OR SWITCH (RECEPTACLES/SWITCHES NOT SUPPLIED)
- MUST BE BURIED A MINIMUM 24" DEEP
- UL LISTED & RATED NEMA 3R (WEATHERPROOF)
- SUITABLE FOR WET LOCATIONS
- (6.13" WIDE X 2.75" DEEP)

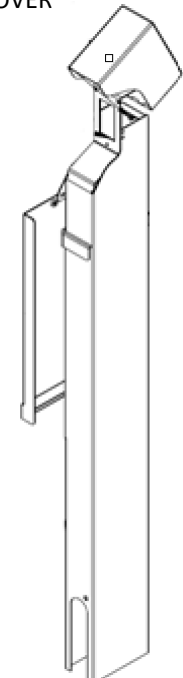
WEATHERPROOF & LOCKABLE WHILE IN-USE COVER



ONE GANG		
HEIGHT	PAINTED STAINLESS STEEL	POLISHED STAINLESS STEEL
42"	142-C-HT-*	142-SS-HT
48"	148-C-HT-*	148-SS-HT
54"	154-C-HT-*	154-SS-HT



ONE GANG DIVIDED FOR POWER/DATA		
HEIGHT	PAINTED STAINLESS STEEL	POLISHED STAINLESS STEEL
42"	142-C-D-HT-*	142-SS-D-HT
48"	148-C-D-HT-*	148-SS-D-HT
54"	154-C-D-HT-*	154-SS-D-HT



PART NUMBERING INSTRUCTIONS:

INSERT COLOR CODE IN PLACE OF THE * AT THE END OF THE MODEL NUMBER (SEE PAGE 3 FOR COLOR OPTIONS). FOR BRUSHED STAINLESS STEEL INSERT "SS" INSTEAD OF "C".

EXAMPLE: 148-SS-HT FOR A SINGLE GANG, 48" TALL, HINGE TOP WITHOUT BASE FINISHED IN BRUSHED STAINLESS STEEL

RECEPTACLES NOT SUPPLIED



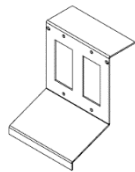
THE OUTDOOR ELECTRIC POWER SOLUTION



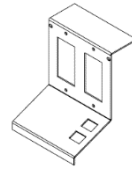
5x5 TWO GANG HINGE TOP PEDESTAL WITHOUT BASE

- CONSTRUCTED OF 14 GAUGE STAINLESS STEEL
- EACH UNIT HAS A GROUND CONDUCTOR TERMINAL AND WILL ACCOMMODATE UP TO TWO 1-1/2" MAX CONDUITS
- DEVICE MOUNTING INSERT FOR USE WITH EITHER 20 OR 30 AMP RECEPTACLE OR SWITCH (RECEPTACLES/SWITCHES NOT SUPPLIED)
- MAY BE DIVIDED FOR POWER AND DATA (SPECIAL INSERT) OPEN BOTTOM AND REMOVABLE FRONT ACCESS COVER ALLOWS FOR EASY INSTALLATION
- MUST BE BURIED A MINIMUM 24" DEEP
- UL LISTED & RATED NEMA 3R
- SUITABLE FOR WET LOCATIONS
- 5" WIDE X 2.5" DEEP

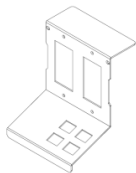
WEATHERPROOF & LOCKABLE WHILE IN-USE COVER



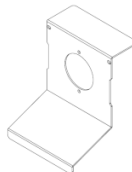
TWO GANG (USE -1)		
HEIGHT	POWDER COAT PAINT	POLSISHED FINISH
42"	542-C-HT-1-*	542-SS-HT-1
48"	548-C-HT-1-*	548-SS-HT-1
54"	554-C-HT-1-*	554-SS-HT-1



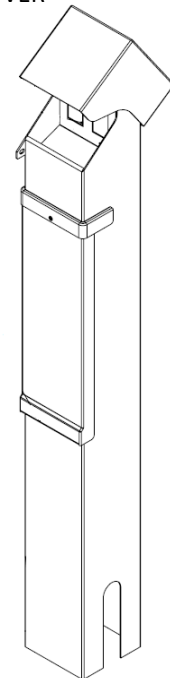
TWO GANG CENTER DIVIDED (USE -1)		
HEIGHT	POWDER COAT PAINT	POLSISHED FINISH
42"	542-C-D-HT-1-*	542-SS-D-HT-1
48"	548-C-D-HT-1*	548-SS-D-HT-1
54"	554-C-D-HT-1*	554-SS-D-HT-1



TWO GANG CORNER DIVIDED (USE -2)		
HEIGHT	POWDER COAT PAINT	POLSISHED FINISH
42"	542-C-D-HT-2-*	542-SS-D-HT-2
48"	548-C-D-HT-2-*	548-SS-D-HT-2
54"	554-C-D-HT-2*	554-SS-D-HT-2



30 AMP (USE -3)		
HEIGHT	POWDER COAT PAINT	POLSISHED FINISH
42"	542-C-HT-3-*	542-SS-HT-3
48"	548-C-HT-3-*	548-SS-HT-3
54"	554-C-HT-3-*	554-SS-HT-3



[MORE MOUNTING PLATE INSERTS AVAILABLE](#)

PART NUMBERING INSTRUCTIONS:

INSERT COLOR CODE IN PLACE OF THE * AT THE END OF THE MODEL NUMBER (SEE PAGE 3 FOR COLOR OPTIONS). FOR BRUSHED STAINLESS STEEL INSERT "SS" INSTEAD OF "C".

EXAMPLE: 554-C-HT-1-**GN** FOR A TWO GANG 5 X 5, 52" TALL WITHOUT BASE MODEL POWDER COATED IN **GREEN**

RECEPTACLES NOT SUPPLIED

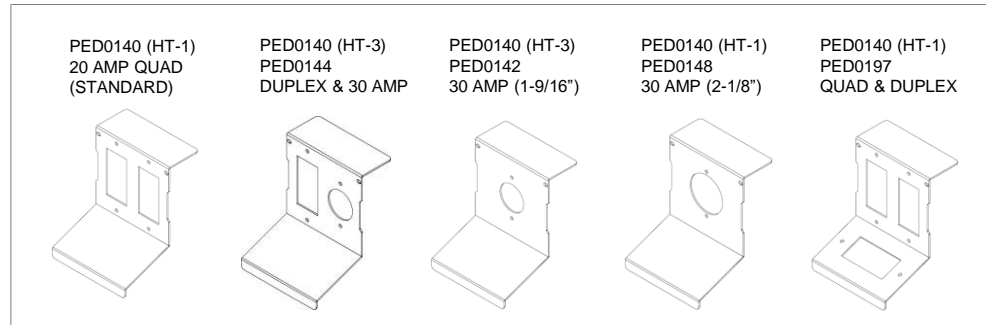


THE OUTDOOR ELECTRIC POWER SOLUTION

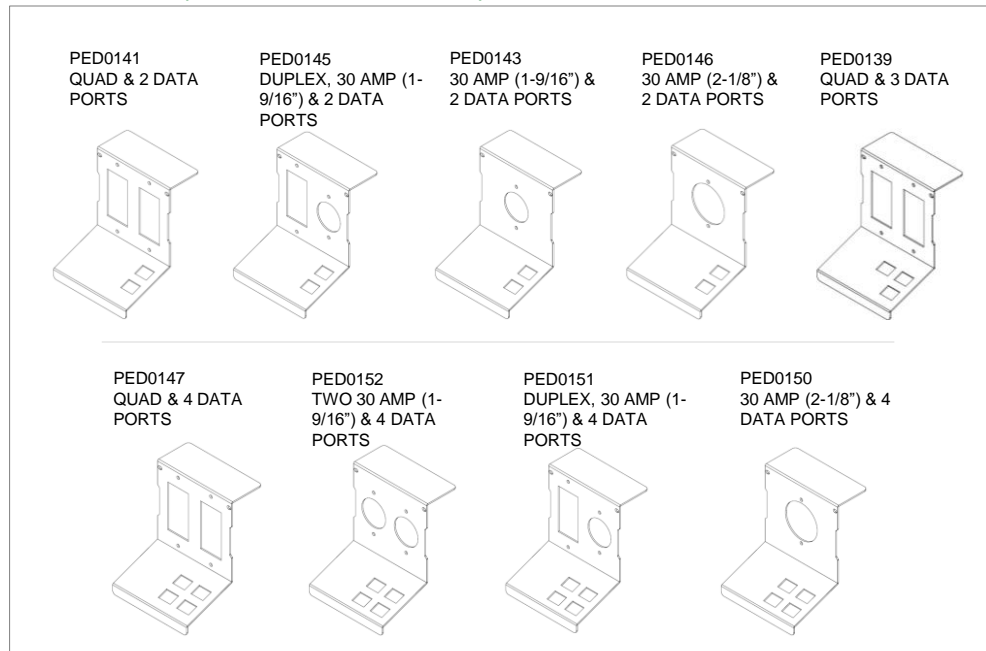


5x5 MODEL MOUNTING PLATE OPTIONS

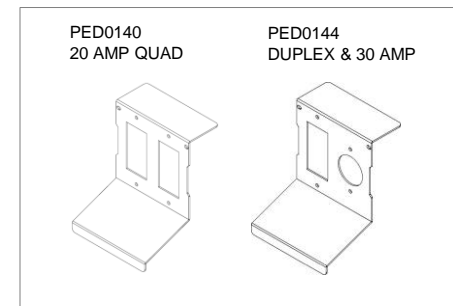
POWER ONLY CONFIGURATIONS: (HT-1, HT-3)



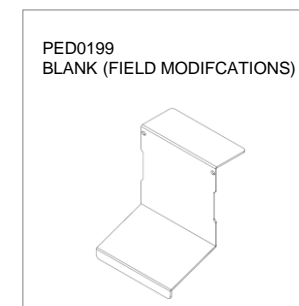
POWER & DATA (CORNER DIVIDED: "D-HT-2")



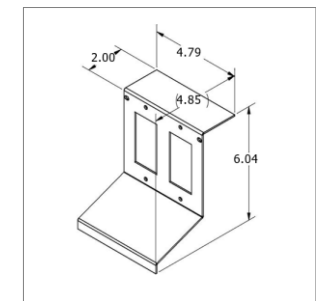
POWER & DATA (CENTER DIVIDED) "D-HT-1"



ADDITIONAL



DIMENSIONS (TYPICAL)



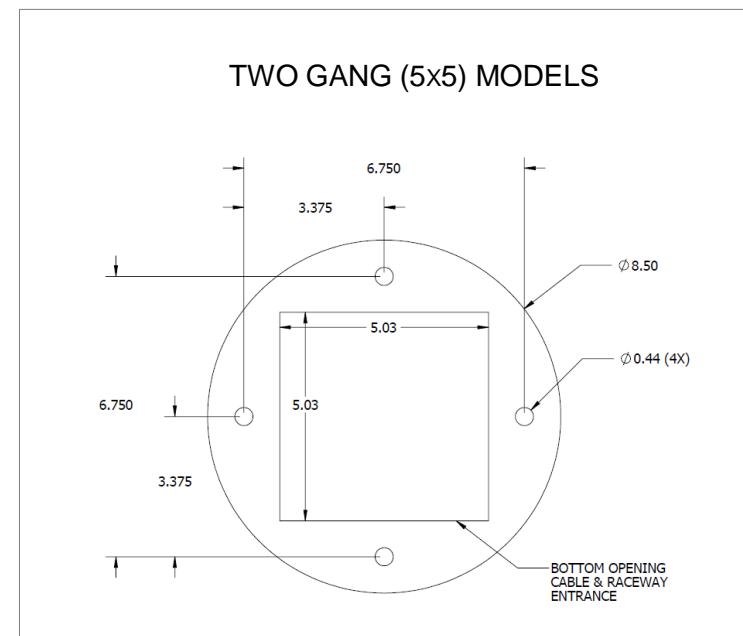
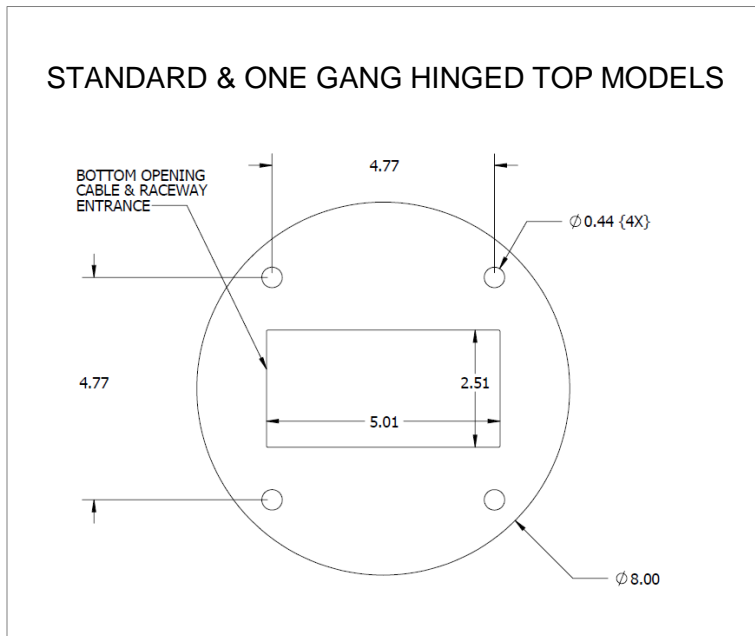
RECEPTACLES NOT SUPPLIED



THE OUTDOOR ELECTRIC POWER SOLUTION

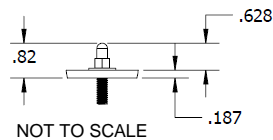


HARDSCAPE MOUNTING BASES



SUPPLIED MOUNTING HARDWARE (BOTH BASE SIZES)

FOR MODELS 36" AND UNDER



- (4 PCS) 1/4"-20 X 2 1/4" WEDGE ANCHOR 304 S.S.
- (4 PCS) 1/4"-20 HIGH CROWN ACORN CAP NUT 18-8 S.S.
- (4 PCS) 1/4" X 5/8" X 0.045" FLAT WASHER 18-8 S.S.

FOR MODELS 42" AND ABOVE

- (4 PCS) 3/8"-16 X 2 3/4" WEDGE ANCHOR 304 S.S.
- (4 PCS) 3/8" - 16 HIGH CROWN ACORN CAP NUT 18-8 S.
- (4 PCS) 3/8" X 7/8" X 0.050" FLAT WASHER 18-8 S.S.

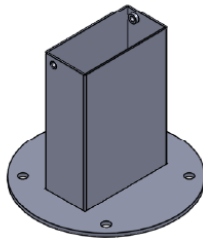


ACCESSORIES: PMB – PEDESTAL MOUNTING BRACKETS (under UL review)

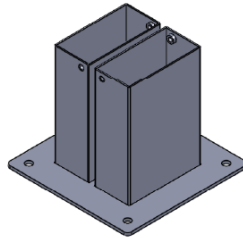
- PMB'S SUPPORT PEDOC'S ON A FLAT SURFACE, AT OR ABOVE GRADE
- MADE FROM 14 GAUGE STAINLESS STEEL
- USED WITH STANDARD MODELS WITHOUT AN INTEGRAL BASE

AVAILABLE IN 2 CONFIGURATIONS

SINGLE PMB (8" DIAMETER BASE)
MODEL #
PMB-C-S-*



DOUBLE PMB (8" SQUARE BASE)
MODEL #
PMB-C-2BB-*



PEDOC UNIT(S) SLIDES DOWN INTO THE HOUSING (SINGLE OR DOUBLE) AND IS SECURED WITH SCREWS ON HOUSING SIDES

BRACKETS PROVIDED TO SUPPORT PEDOC'S ON A FLAT SURFACE AT OR ABOVE GRADE WITHOUT HAVING THE LOWER SECTION BURIED INTO THE GROUND



Wire through bottom opening not shown

PART NUMBERING INSTRUCTIONS:

INSERT COLOR CODE IN PLACE OF THE * AT THE END OF THE MODEL NUMBER (SEE PAGE 3 FOR COLOR OPTIONS). FOR BRUSHED STAINLESS STEEL INSERT "SS" INSTEAD OF "C".

EXAMPLE: PMB-C-S-B FOR A SINGLE GANG PEDESTAL MOUNTING BRACKET POWDER COATED IN **BLACK**