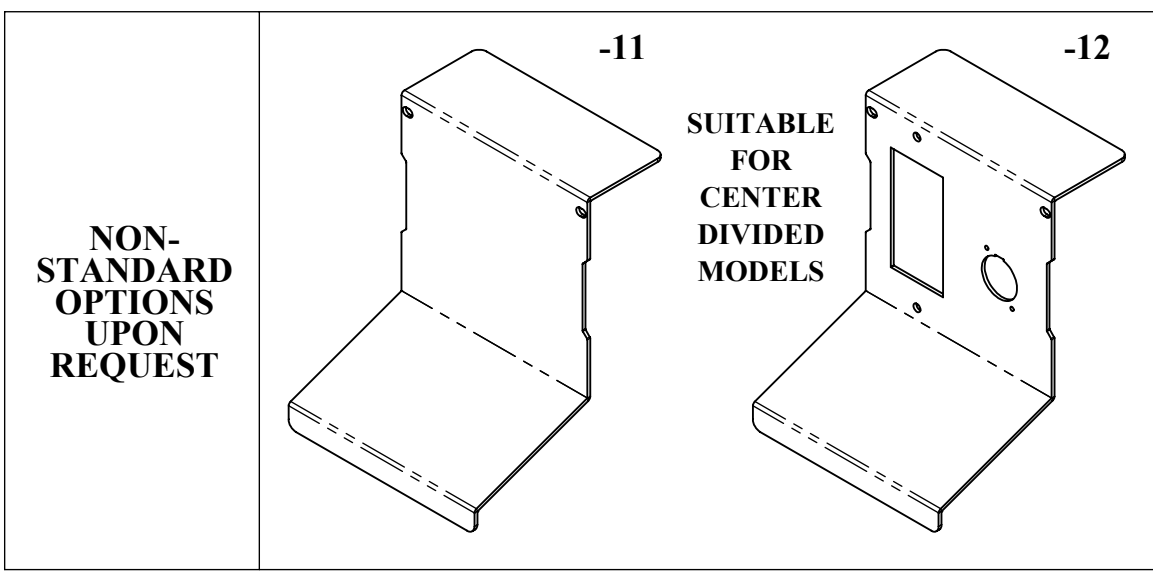
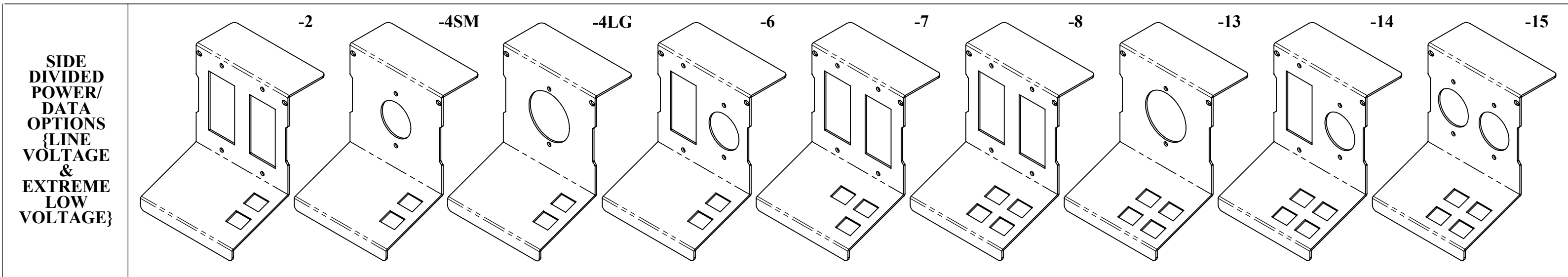
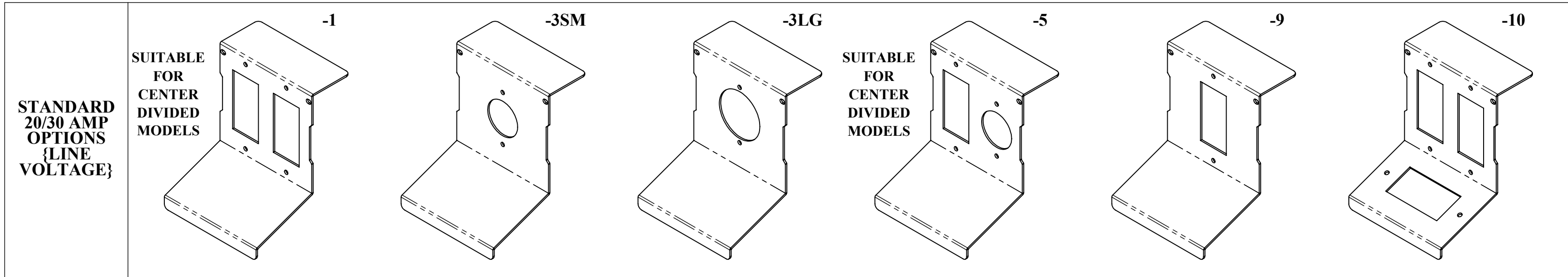


# RECEPTACLE MOUNTING PLATE INSERT OPTIONS (5 X 5 MODEL)



DASH NUMBER	INSERT DESCRIPTION
-1	2 GANG {DECORA-STYLE}
-2	2 GANG {DECORA-STYLE} WITH DUO DATA PORTS
-3SM	30 AMP 1.562" DIA. HOLE
-3LG	30 AMP 2.125" DIA. HOLE
-4SM	30 AMP 1.562" DIA. HOLE WITH DUO DATA PORTS
-4LG	30 AMP 2.125" DIA. HOLE WITH DUO DATA PORTS
-5	1 GANG {DECORA-STYLE} & 30 AMP 1.562" DIA. HOLE
-6	1 GANG {DECORA-STYLE} & 30 AMP 1.562" DIA. HOLE WITH DUO DATA PORTS
-7	2 GANG {DECORA-STYLE} WITH TRIPLE DATA PORTS
-8	2 GANG {DECORA-STYLE} WITH QUAD DATA PORTS
-9	1 GANG {DECORA-STYLE}
-10	2 GANG {DECORA-STYLE} WITH 1 GANG {DECORA-STYLE} HORIZONTAL MOUNT
-11	BLANK
-12	1 GANG {DECORA-STYLE} & 0.910" DIA. HOLE
-13	30 AMP 2.125" DIA. HOLE WITH QUAD DATA PORTS
-14	DOUBLE 30 AMP 1.562" DIA. HOLE WITH QUAD DATA PORTS
-15	1 GANG {DECORA-STYLE} & 30 AMP-1.562 DIA. WITH QUAD DATA PORTS

**PART NUMBER:  
SEE CHART**

**DESCRIPTION:  
PEDOC 5 X 5  
HINGE TOP INSERT**

**MATERIAL: 14 GA.  
STAINLESS STEEL**

